

# RUGGED LANTERN™

## INSTRUCTIONS

843705-c

### IMPORTANT SAFETY INSTRUCTIONS

#### WARNING

Thank you for purchasing the Zippo Rugged Lantern. When using electrical appliances, basic precautions should always be followed, including the following:

- **READ ALL WARNINGS AND INSTRUCTIONS** before using your Zippo Rugged Lantern for the first time.
- Failure to follow all instructions may result in electric shock, fire and/or serious injury.
- **To reduce the risk of injury, close supervision is necessary when the lantern is used near children**

TO REDUCE THE RISK OF FIRE, INJURY, ELECTRIC SHOCK OR PROPERTY DAMAGE:

- Sharp objects may scratch, crack, or break the lens, avoid contact.
- Do not expose to temperatures above 120° (49°C).
- Do not expose charger to water or any other liquid.
- Use only the manufacturer supplied charger to recharge.
- When an extension cord is used:
  - Use an extension cord in good condition with proper capacity. Do not place where it can be tipped over, snagged, or pulled on unintentionally.
  - The extension cord should be kept dry.

### SAVE THESE INSTRUCTIONS

#### CHARGING

The Zippo Rugged Lantern battery is shipped with a partial charge and **MUST** be fully charged before using the first time. Follow the charging instructions below carefully.

#### CHARGE INDICATOR LIGHT

Inside the lantern located on the bottom reflector (above the power button (A) near the lamp) is the charge indicator light (B). This is an LED light that will blink Red when the lantern battery requires charging. When the battery is being charged, the light will blink Orange, and when fully charged the light will change to Green.

#### BATTERY STATUS INDICATOR LIGHT

COLOR	STATUS
RED – BLINKING	BATTERY NEEDS CHARGING
ORANGE - BLINKING	BATTERY IN CHARGE MODE
GREEN	BATTERY FULLY CHARGED

Make sure the unit is thoroughly dry before charging or recharging. If the unit has been submerged, dry thoroughly before opening the cap over the recharge port. If water leaks into the charging port (G), the unit can sustain permanent damage.

- Use only with AC or DC charging adapters that are provided with the lantern. Plug in the charging adapter (I) into the lantern DC charging port (G) first, and then plug into the charging source.
- After charging/recharging, disconnect the charging adapter (I) or extension cord.
- Pull by plug rather than cord when disconnecting to reduce the risk of damage.
- Do not attempt to charge the unit if the charger is damaged – contact the manufacturer for repair or replacement.
- Place charging adapter cords so they do not become entangled or become a safety hazard.
- Keep charging adapter cords away from sharp edges.

#### Charging using the 120 volt AC Charger

- Make sure the light is turned off by pushing the power button (A) and cycling until the light is off.
- Open the water tight cap (H) on the charging port (G).
- Insert the charging adapter (I) of the AC charger into the DC charging port (G). Insert the plug end into a standard 120 volt 60Hz outlet.
- The battery indicator light (B) will flash orange if properly charging. Do not charge for more than 8 hours.
- When fully charged, the battery indicator light (B) will turn green.
- Remove the AC Charger plug from the wall, remove the charging adapter (I) from the lantern and replace the water tight charging port cover (H).

**\*IMPORTANT** - Always replace the water tight charging port cover (H) to protect from permanent damage to the device from water and debris.

#### OPERATING INSTRUCTIONS:

FOR HOUSEHOLD USE ONLY. To operate the Zippo Rugged Lantern, press the power button (A) in quick succession in the following order:

- Press once initiates the S.O.S. function and the light will blink S.O.S. in Morse code.
- Press twice places the LED at 100% power.
- Press three times, places the LED at 50% power.
- Press four times, places the LED at 10% power.
- Press again to power off.

#### CARE AND MAINTENANCE

If the lantern becomes soiled, gently clean the lantern with a solution of water and mild dish washing detergent. Take care to NOT use abrasive cloths or cleaning agents that may harm or damage the lantern.

Periodically inspect the condition of the chargers. Contact manufacturer to replace a component that may have become worn

or broken.

All batteries lose energy from self-discharge over time especially at higher temperatures. When the unit is not in use, we recommend that the battery is charged at least every three (3) months.

#### BATTERY REPLACEMENT

All rechargeable batteries will degrade over time eventually limiting the batteries ability to retain a charge. If the battery will no longer hold a charge, please contact Zippo Consumer Relations at 814-368-2700 or [www.zippo.com](http://www.zippo.com) for information on ordering a replacement battery pack.

#### Safe Battery Disposal

This unit contains a lithium ion rechargeable battery pack, which must be disposed of properly when it will no longer retain a charge. For information on recycling this battery, call toll-free (800) 822-8837. To locate a free recycling program collection center near you, go to [www.call2recycle.org](http://www.call2recycle.org)

#### WARNINGS

- Use only Zippo battery packs designed for use with this rechargeable lantern.
- Zippo Manufacturing Company is not responsible for any damage or accident caused by the use of any non-Zippo battery pack.
- Do not puncture the battery pack.
- Use **ONLY** the chargers provided with your lantern to avoid the potential for overheating, leaking, or explosion.
- Do not expose battery to intense heat or dispose in a fire as this may result in an explosion.
- Before disposing of the battery, protect the exposed terminals with heavy-duty electrical tape to prevent shorting (shorting can result in injury or fire)

#### HANDLE

The Rugged Lantern's durable fabric handle (D) can be used to hang the lantern. Simply unsnap the end (E), hang in a safe place and securely re-snap the handle. Ensure the lantern is secure and cannot fall.

**\*CAUTION** – Protect against injury or damage by ensuring the handle is securely snapped in place on the lantern and on a sturdy anchor capable of supporting the lantern.

#### SERVICE INFORMATION

If you have any problems with the operation of your Rugged Zippo Lantern, do not return it to the retail store. Instead, consumers in the U.S. should contact Zippo Consumer Relations at 814-368-2700 for further instructions or visit [www.zippo.com](http://www.zippo.com).

Consumers outside the U.S. should contact your local distributor. Under no circumstances should you mail the Zippo Rugged Lantern. Please follow the advice of the local distributor in your country, see following listing.

#### WARRANTY

*\*Limited Warranty – 5 year on materials and workmanship, except battery, of the Zippo Rugged Lantern. Normal wear and tear, fading or finish, misuse or abuse, and use contrary to instructions are excluded.\* Any attempt to open the sealed portions of the Zippo Rugged Lantern case by any non-approved repair center will void this warranty. Zippo Manufacturing Company will repair or replace with some of similar product at Zippo Manufacturing's discretion. This warranty is only valid with the presentation of the original sales receipt.*

*The battery warranty is 1 year on materials and workmanship. Normal wear and tear, misuse or abuse, and use contrary to instructions are excluded.*

*This warranty gives you specific legal rights which run concurrently with, and do not affect, your statutory rights.*

*To make a warranty claim or ask a question please write, telephone, or visit our website.*

#### Contact:



**Zippo Manufacturing Company**  
33 Barbour Street,  
Bradford, Pennsylvania 16701 USA  
Telephone: 814-368-2700  
Visit our Customer Care Website:  
[zippo.com](http://zippo.com)

In Canada imported by/Au Canada importé par  
Hyde's Distribution  
6868 Kinsmen Court  
Niagara Falls, ON., Canada L2E 6S5  
Tel: 905-358-3674

Art. Encend. Recargable "Zippo".-Cont. 1 Pieza  
Importador:

#### TABASA

Tabasa Import Export LTD SA de CV  
Boulevard 5 de Febrero No. 10-1  
Col. San Francisco  
San Andrés Tuxtla Ver, 95710 Mexico

RFC: TSA-860710-IB4

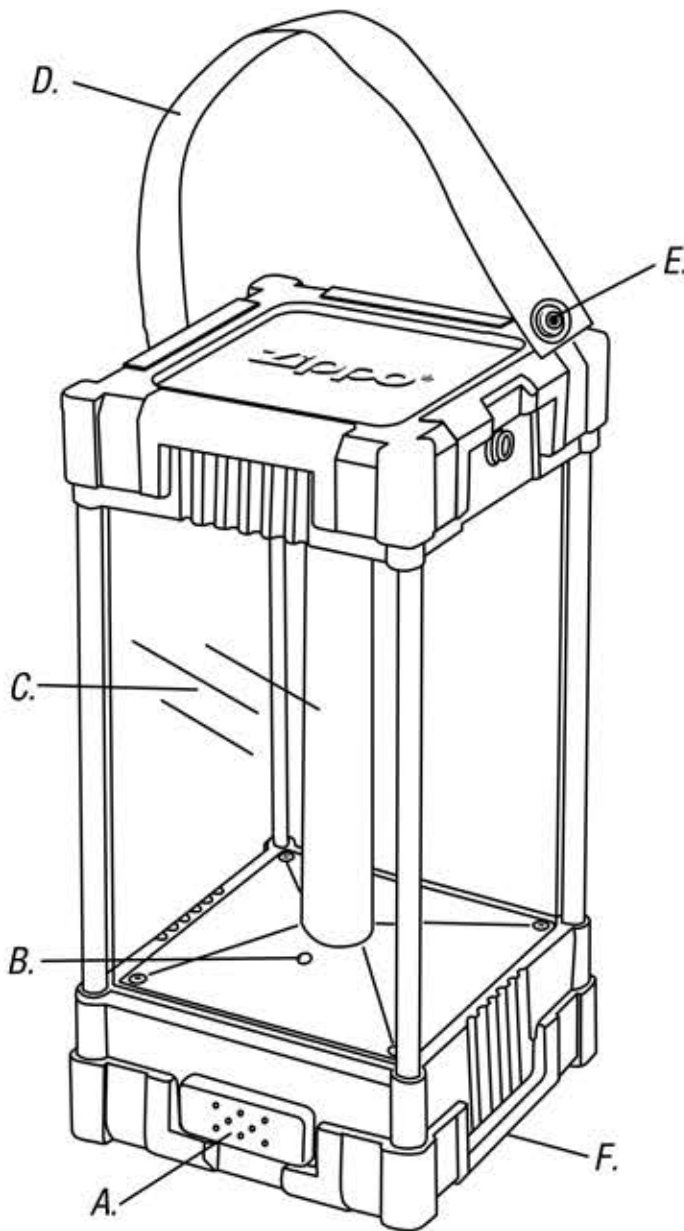
Tel: (294) 947-9907

Fax: (294) 947-9910

e-mail: [ventas@tabasa.com](mailto:ventas@tabasa.com)

Fabricante y Exportador Zippo Manufacturing Company  
33 Barbour Street – Bradford PA E.U.A.

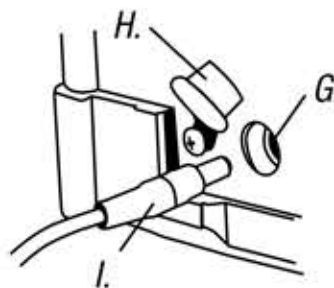
Manufactured to Zippo quality standards in China  
Producido bajo las normas de calidad Zippo  
en China



U.S. Pat. No. D706,968 S

#### ENGLISH

- A. ON/OFF/POWER BUTTON
- B. BATTERY INDICATOR LED
- C. LENS
- D. HANDLE
- E. HANDLE SNAP
- F. BATTERY COMPARTMENT
- G. CHARGING PORT
- H. CHARGING PORT COVER
- I. CHARGING ADAPTER



#### FRENCH

- A. BOUTON MARCHE/ARRÊT/ALIMENTATION
- B. INDICATEUR DE PILE DEL
- C. LENTILLE
- D. POIGNÉE
- E. BOUTON-PRESSION DE LA POIGNÉE
- F. LOGEMENT DE LA PILE
- G. PORT DE CHARGE
- H. CAPUCHON DU PORT DE CHARGE
- I. ADAPTATEUR DE CHARGE

#### SPANISH

- A. ON / OFF / BOTÓN DE ENCENDIDO
- B. INDICADOR DE BATERIA LED
- C. LENTES
- D. MANGO
- E. CIERRE DEL MANGO
- F. COMPARTIMIENTO DE LA BATERÍA
- G. PUERTO DE CARGA
- H. CUBIERTA DEL PUERTO DE CARGA
- I. ADAPTADOR DE CARGA

