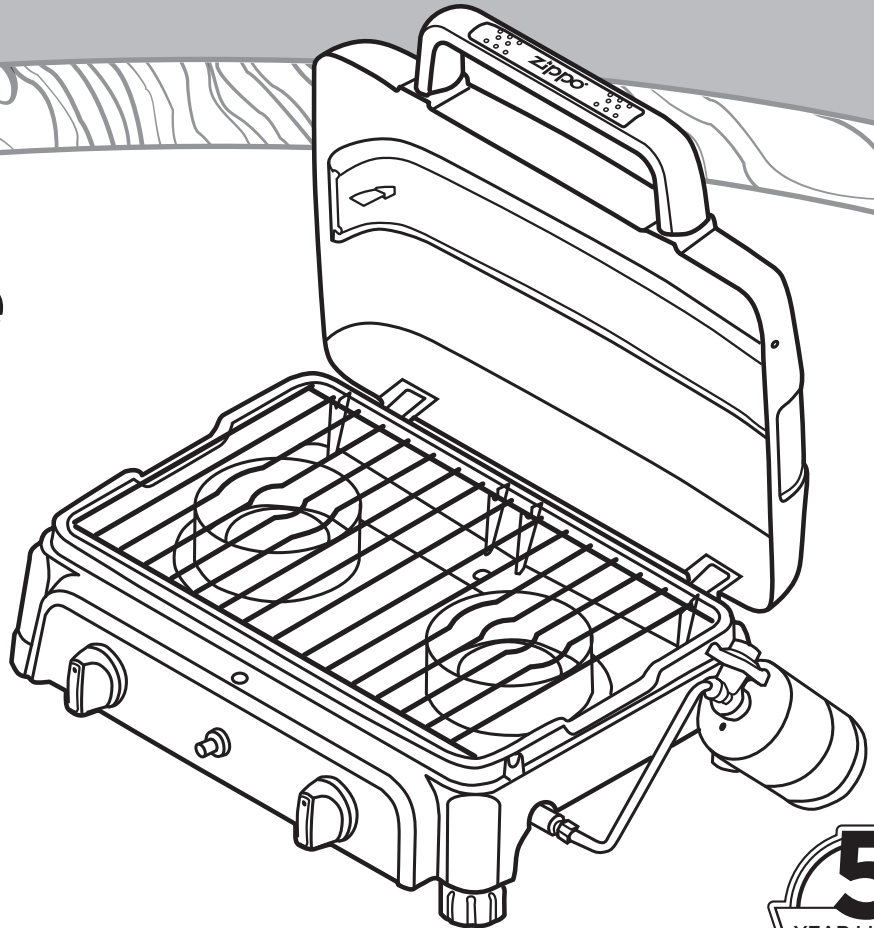




WINDPROOF STOVE™

Use & Care Manual

Safety	3
Assembly	4
Operation	8
Ignition	11
Transport	12
Maintenance	12
Warranty.....	14
Trouble Shooting	15
Parts Listing.....	16
Assembly Diagram	16



ANSI Z21.72-2011
CSA 11.2-2011
MODEL #: 8202-54Z



ZIPPO MODEL #: 44026

PLEASE RECORD YOUR SERIAL NUMBER, LOCATED INSIDE LID OF WINDPROOF STOVE, AND THE DATE OF PURCHASE BELOW.

SERIAL NUMBER _____
DATE OF PURCHASE _____

THIS INSTRUCTION MANUAL CONTAINS IMPORTANT INFORMATION NECESSARY FOR THE PROPER ASSEMBLY AND SAFE USE OF THE APPLIANCE. READ AND FOLLOW ALL WARNINGS AND INSTRUCTIONS BEFORE ASSEMBLING AND USING THE APPLIANCE. FOLLOW ALL WARNINGS AND INSTRUCTIONS WHEN USING THE APPLIANCE.



Zippo Manufacturing Company
33 Barbour Street,
Bradford, Pennsylvania 16701 USA
Telephone: 888-368-0826
Customer Care Website: zippo.com

Assembled in USA with domestic and foreign components.

READ AND SAVE THESE INSTRUCTIONS

SAFETY

Your new Zippo® Windproof Stove™ is a safe, convenient appliance when assembled and used properly. However, as with all gas-fired products, certain safeguards must be observed. **Failure to follow these safeguards may result in damage or injury including fire or explosion which could cause property damage, personal injury, or death.** If you have questions concerning assembly or operation, consult your dealer, gas appliance serviceman, your gas company or **Zippo Consumer Relations at 888-368-0826.**

FOR YOUR SAFETY

IF YOU SMELL GAS:

- 1. DO NOT ATTEMPT TO LIGHT APPLIANCE.**
- 2. EXTINGUISH ANY OPEN FLAME.**
- 3. DISCONNECT FROM FUEL SUPPLY.**

FOR YOUR SAFETY

DO NOT STORE OR USE GASOLINE OR OTHER LIQUIDS WITH FLAMMABLE VAPORS IN THE VICINITY OF THIS OR ANY OTHER APPLIANCE

Propane tank not supplied.

This manual contains important information about the assembly, operation and maintenance of this propane stove. General safety information is presented in these first few pages and is also located throughout the manual. Safety precautions are essential when using propane fueled equipment. These precautions are necessary when using, storing, and servicing. Using this equipment with respect and caution will reduce the possibilities of personal injury or property damage.

Keep this manual for future reference and to educate new users of this product. This manual should be read in conjunction with the labeling on the product.



DANGER

CARBON MONOXIDE HAZARD



THIS APPLIANCE CAN PRODUCE CARBON MONOXIDE WHICH HAS NO ODOR.

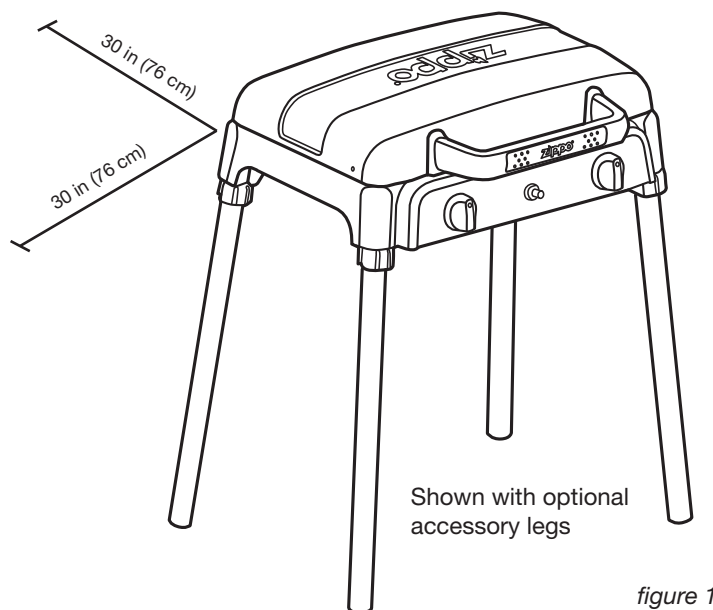
USING IT IN AN ENCLOSED SPACE CAN KILL YOU.

NEVER USE THIS APPLIANCE IN AN ENCLOSED SPACE SUCH AS A CAMPER, TENT, CAR OR HOME. FOR OUTDOOR USE ONLY.



DANGER

- Failure to comply with the precautions and instructions provided with these stoves can result in death, serious bodily injury and property loss or damage from hazards of fire, explosion, burn, asphyxiation, and/or carbon monoxide poisoning.
- This stove is a combustion appliance. All combustion appliances produce carbon monoxide (CO) during the combustion process. This product is designed to produce extremely minute, non-hazardous amounts of CO if used and maintained in accordance with all warnings and instructions. Do not block air flow into or out of the stove.
- Carbon Monoxide (CO) poisoning produces flu-like symptoms, watery eyes, headaches, dizziness, fatigue and possibly death. You can't see it and you can't smell it. It's an invisible killer. If these symptoms are present during operation of this product get fresh air immediately!
- **For outdoor use only.**
- **Never use inside house, camper, tent, vehicle or other unventilated or enclosed areas. This stove consumes air (oxygen). Do not use in unventilated or enclosed areas to avoid endangering your life.**
- Never store propane near high heat, open flames, pilot lights, direct sunlight, other ignition sources or where temperatures exceed 120°F (49°C).
- Propane is heavier than air and can accumulate in low places. If you smell gas, leave the area immediately.
- Never install or remove propane tank while outdoor stove is lit, near flame, pilot lights, other ignition sources or while outdoor stove is hot to touch.
- During operation, this product can be a source of ignition. Never use the stove in spaces that contain or may contain volatile or airborne combustibles, or products such as gasoline, solvents, paint thinner, dust particles or unknown chemicals. Minimum clearances from combustible materials: 30in [76cm] from the sides, shown in *figure 1*.



- Provide adequate clearances around air openings into the combustion chamber.
- Propane gas is heavier than air and leaking propane will sink to the lowest level possible. It can ignite by ignition sources including matches, lighters, sparks or open flames of any kind many feet away from the original leak.

- Propane gas should be stored or used in compliance with local ordinances and codes or with ANSI/NFPA 58. Turn off propane when not in use

WARNING

- This appliance must not be left unattended during operation or when hot.
- Special care must be taken to keep children away from the appliance during operation or when hot.
- Let the stove cool completely before disassembly or transportation.

SERVICE SAFETY

- Keep all connections and fittings clean. Inspect propane cylinder and stove propane connections for damage before attaching.
- During set up, check all connections and fittings for leaks using soapy water. Never use a flame. Bubbles indicate a leak. Check that the connection is not cross-threaded and that it is tight. Perform another leak check. If there is still a leak, remove the cylinder and contact **Zippo Consumer Relations for service or repairs at 888-368-0826.**

- Use as a cooking appliance only. Never alter in any way or use with any device or part not expressly approved by Zippo Manufacturing Company.
- Clean stove frequently to avoid grease accumulation and possible grease fires.

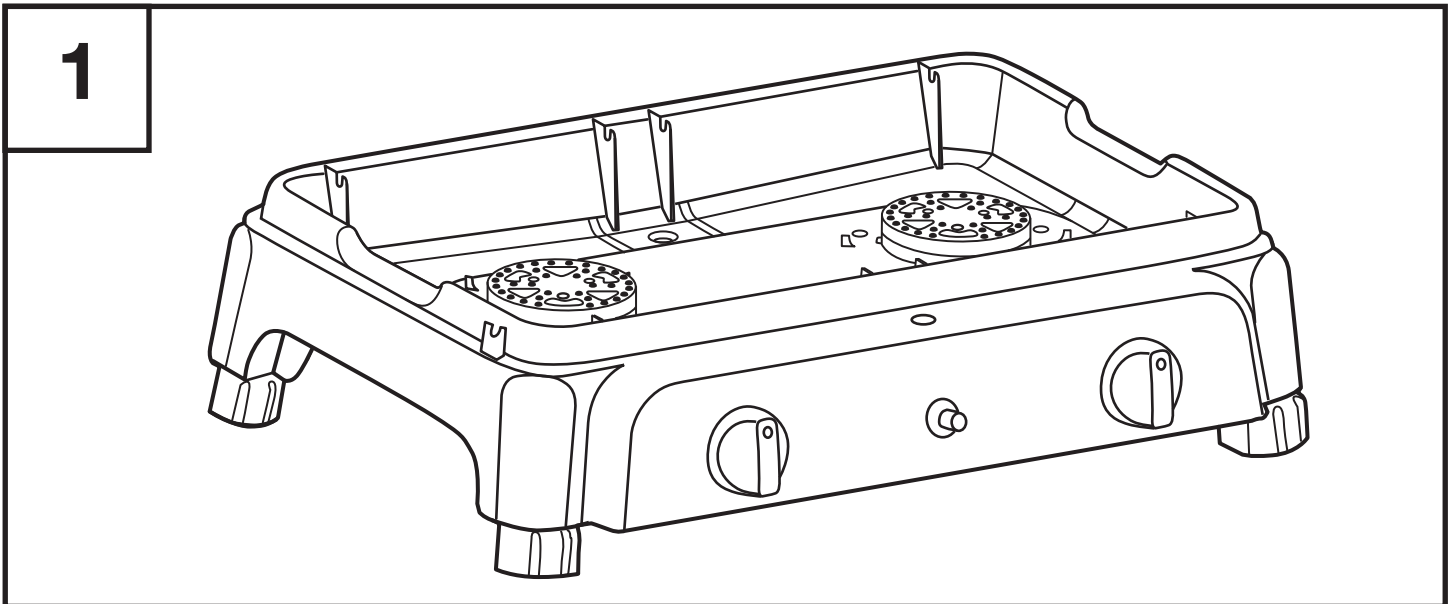
CALIFORNIA PROPOSITION 65

- **WARNING:** This fuel, and the by-products of combustion of this fuel, contains chemicals known to the state of California to cause cancer, birth defects, or other reproductive harm.

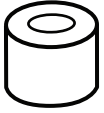
SPECIFICATIONS

INPUT: 8,500BTU/H per Burner
 CATEGORY: Pressure Regulated Propane
 Fuel: 14.1oz [400g] or 16.4oz [465g] or 20lb [9kg]
 REGULATOR PART #: 38110-114

Assembly



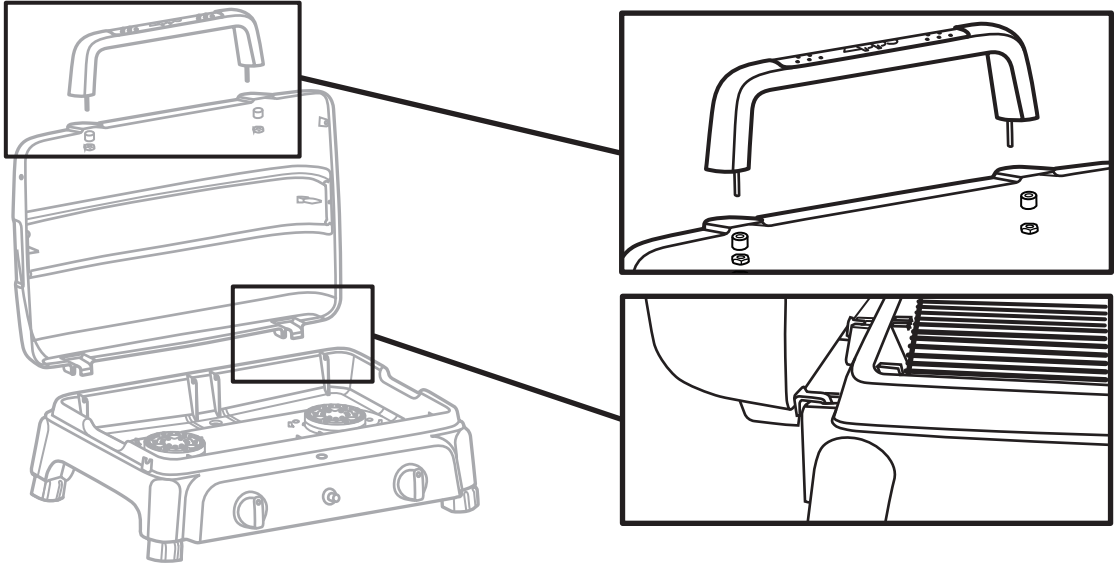
2



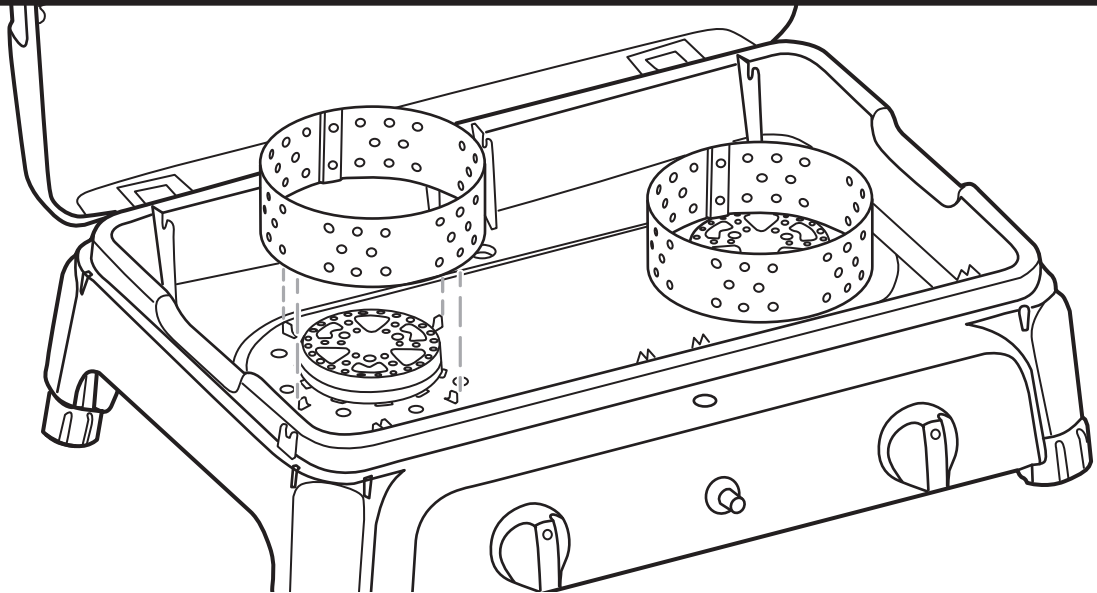
2X



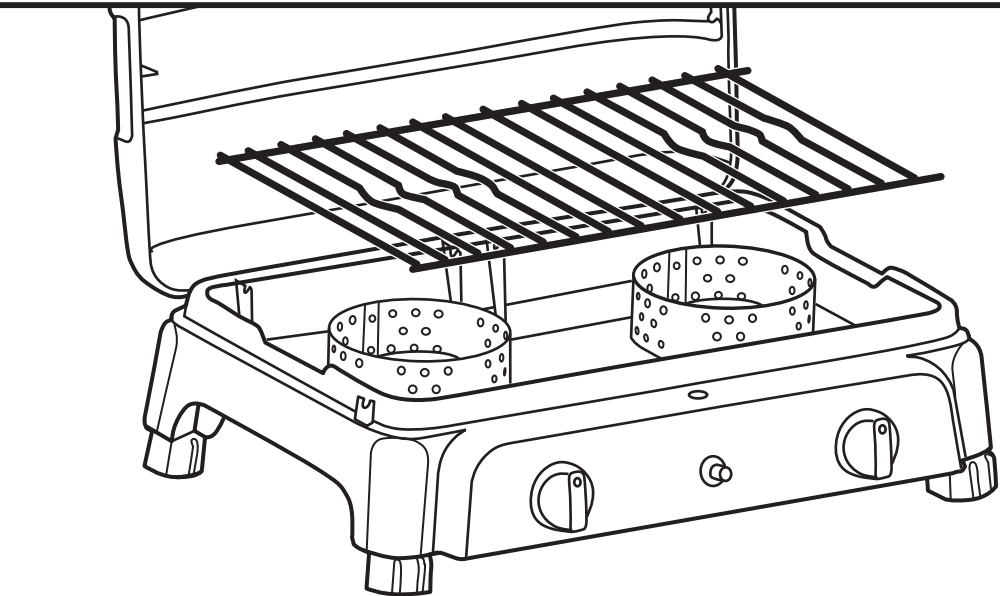
2X



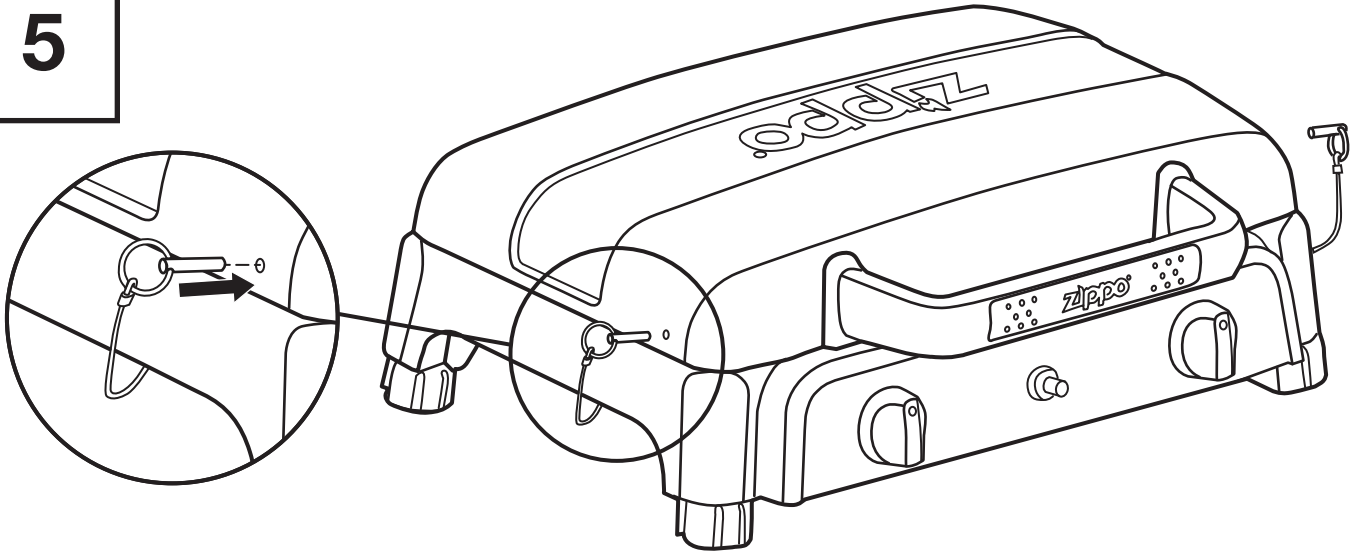
3



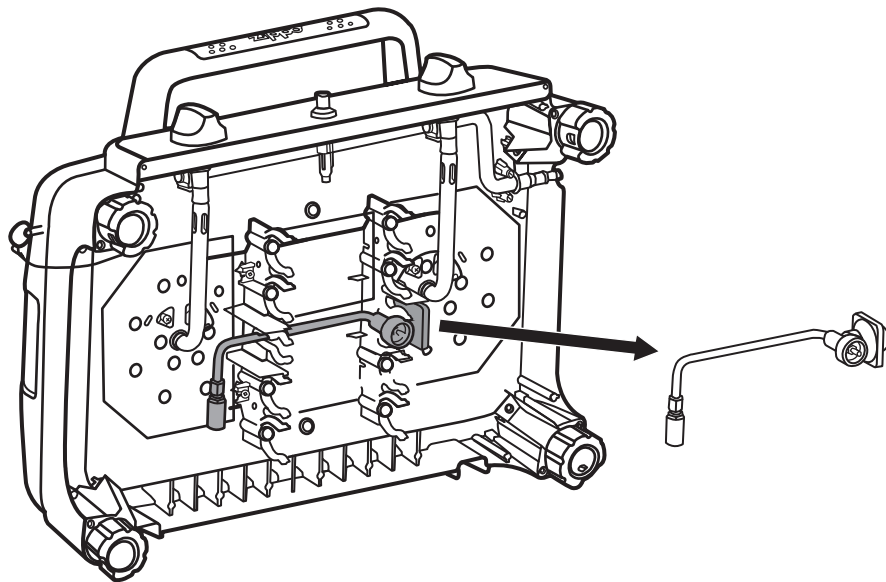
4



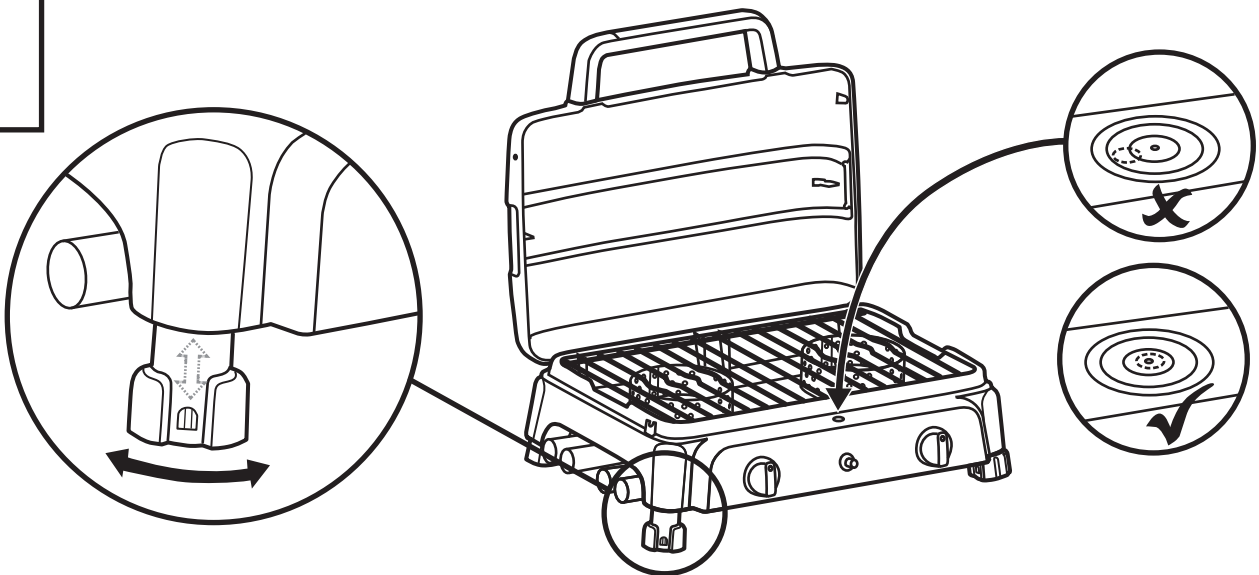
5



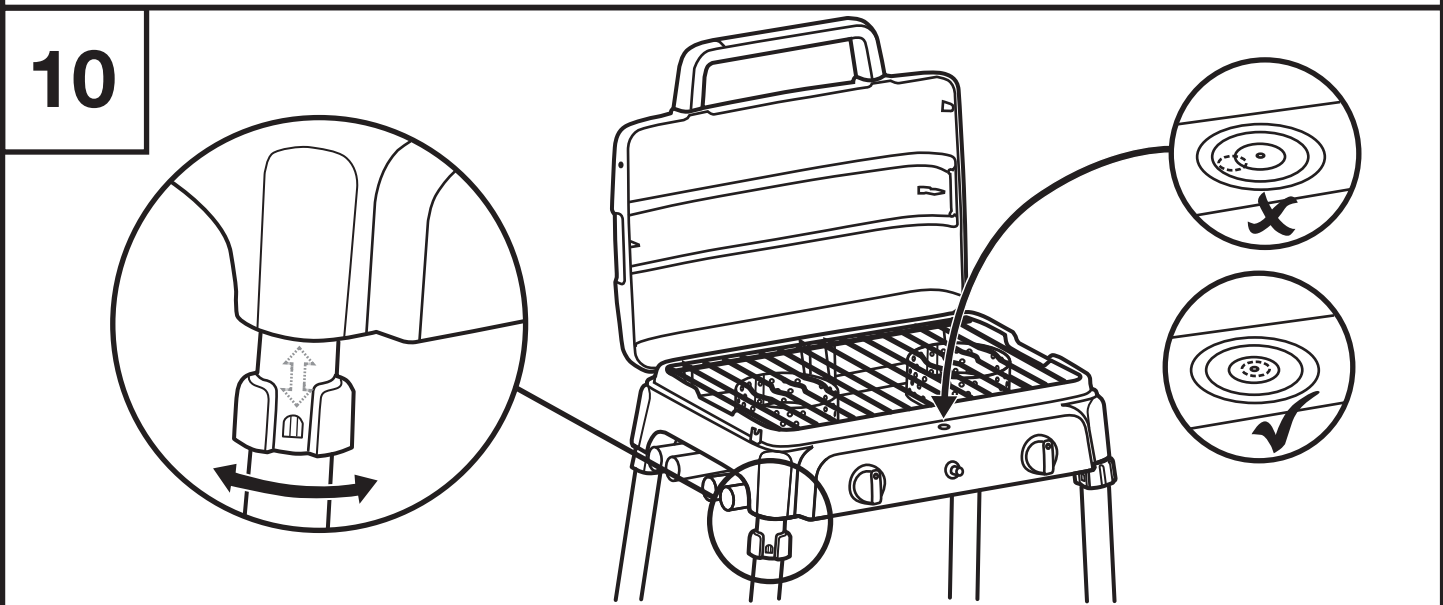
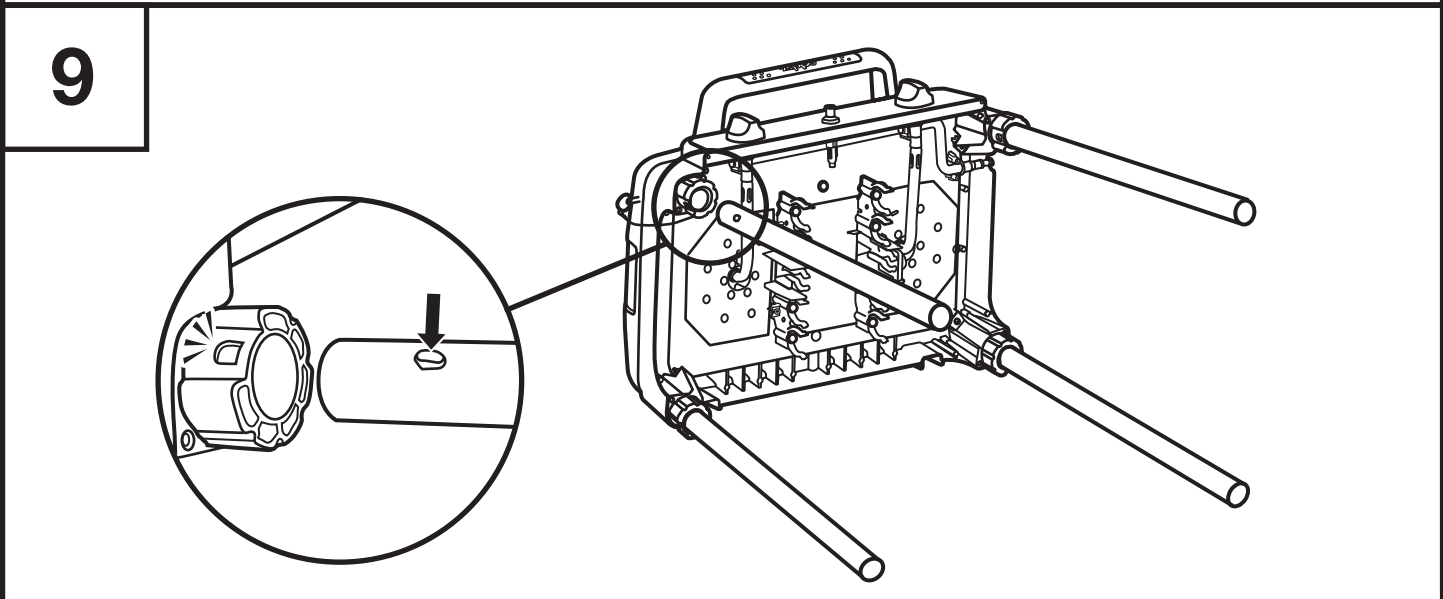
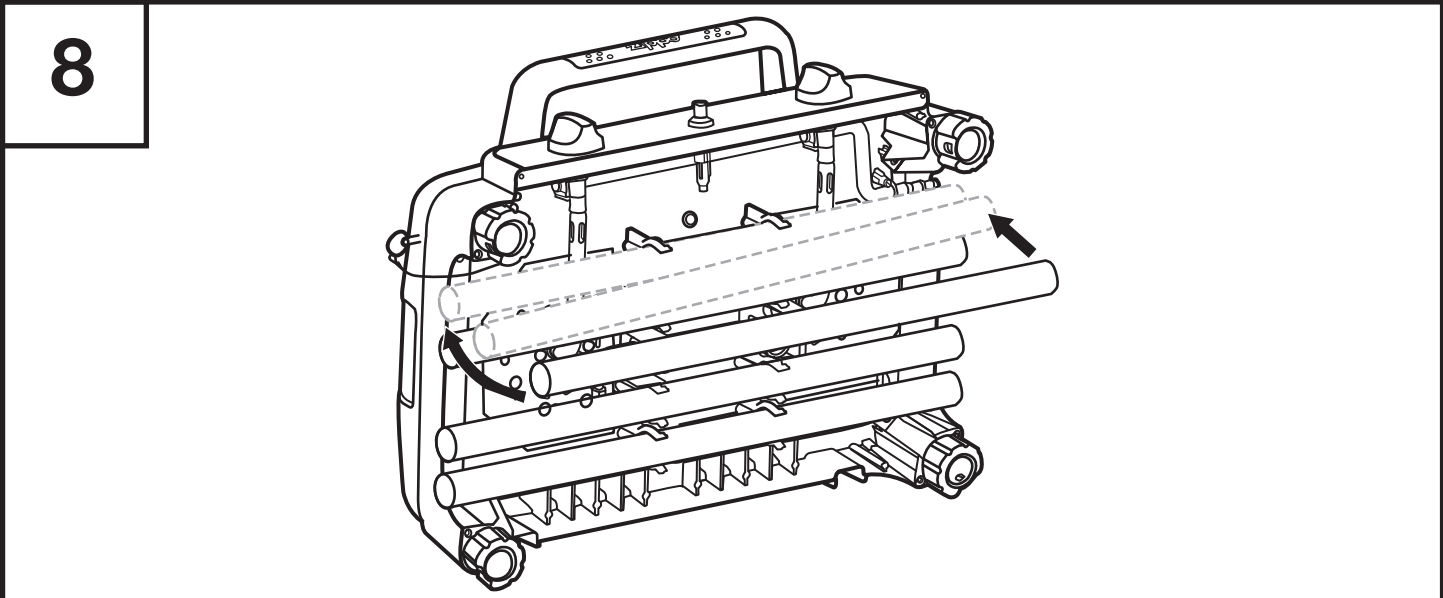
6



7



Free Standing Mode For Optional Leg Assembly

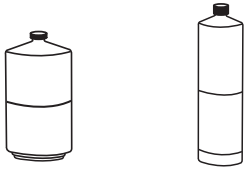


OPERATION

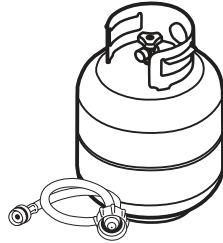
This windproof stove accommodates these cylinder sizes, not included.

Small Propane Cylinder
 • direct connection

Large Propane Cylinder
 • connect with Zippo accessory adaptor hose only



16.4 oz. (465 g) 14.1 oz. (400 g)



20 lb. (9 kg)

SMALL PROPANE CYLINDERS

CAUTION

Not for use with natural gas.

Use cylinders that are marked “Propane Fuel” only.

Use small propane cylinders with a capacity of 14.1 oz. or 16.4 oz. These cylinders are typically available in the camping, hardware, or plumbing sections of your local retailer.

1. Remove protective cap from propane cylinder.
2. Align and push the small propane cylinder into the regulator and turn clockwise until tight.

WARNING

- Do not use a wrench to tighten small propane cylinder connection. Using a wrench could damage the regulator coupling and could cause a leak and or fire.
- Disconnect small propane cylinder when windproof stove is not in use.

SMALL PROPANE CYLINDERS CONNECTION

1. While holding the regulator in one hand, push the propane cylinder into the regulator and turn clockwise until tight. Pull the quick connect coupler back until it clicks, as shown in figure 3.

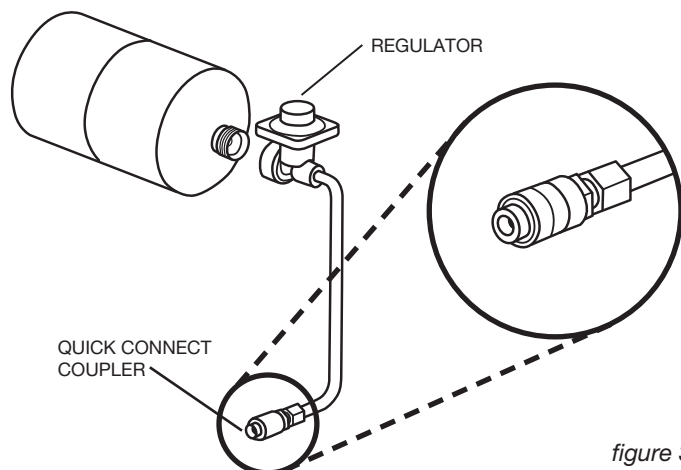


figure 3

2. Be sure appliance valves are shut off as shown in figure 4.

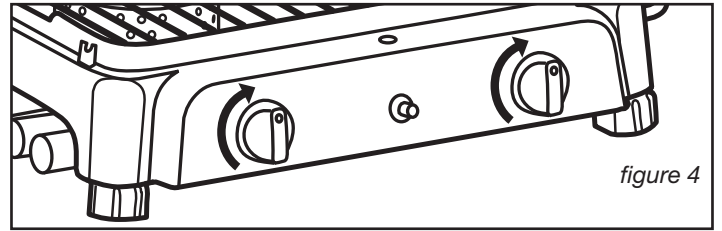


figure 4

3. With the propane cylinder assembled on the regulator and the quick connect coupler pulled back, push the quick-connect coupler onto the valve assembly, until it clicks as shown in figure 5.

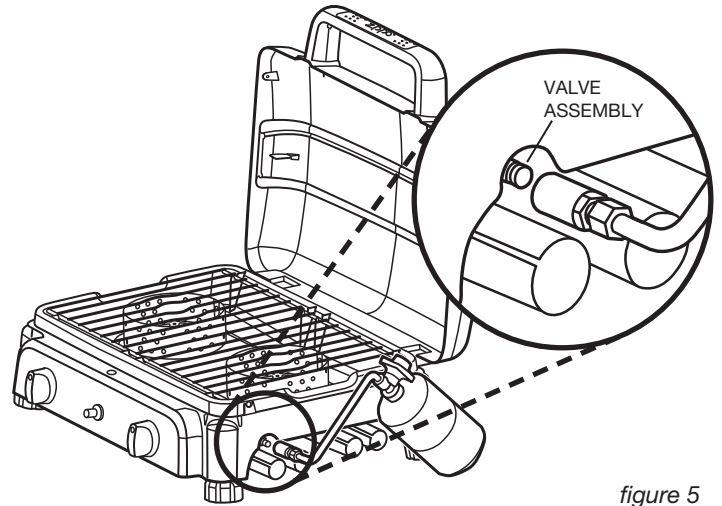


figure 5

4. Position the propane cylinder, as shown in the illustration for table top mode in figure 5 and for free standing mode (with optional legs) in figure 6, to ensure proper propane withdrawal.

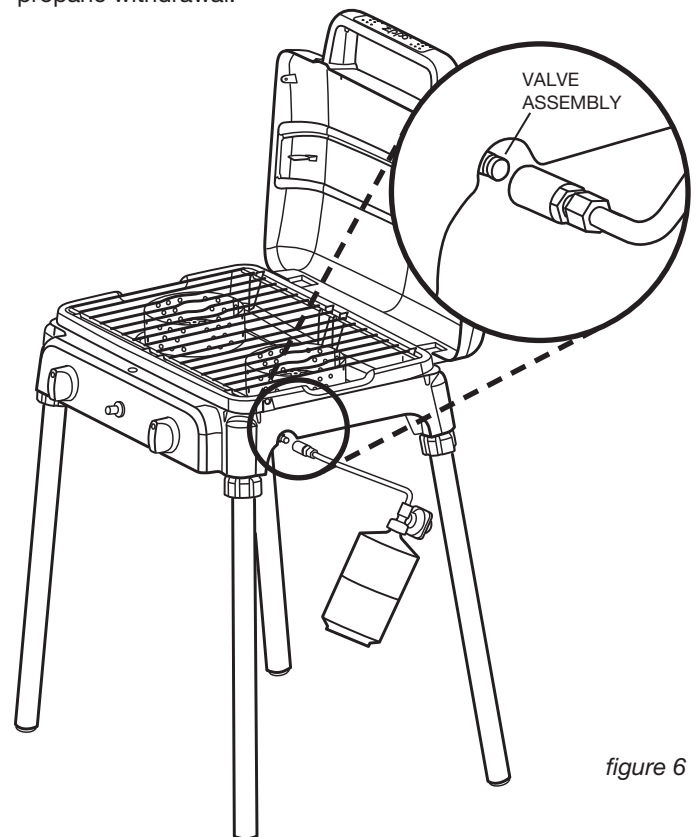


figure 6

Large Propane Cylinder Connection With Optional Accessory Adaptor Hose

QCC®-1 QUICK CLOSING COUPLING (Large Propane Cylinder)

The QCC®-1 system incorporates new safety features required by the American National Standards Institute (ANSI) and the Canadian Standards Steering Committee.

- * Gas will not flow until a positive connection has been made.
- * A thermal element will shut off the flow of gas between 240°F and 300°F.
- * When activated, a Flow Limiting Device will limit the flow of gas to 10 cubic feet per hour.

All models are equipped with a hose with a QCC®-1 Quick Closing Coupling.

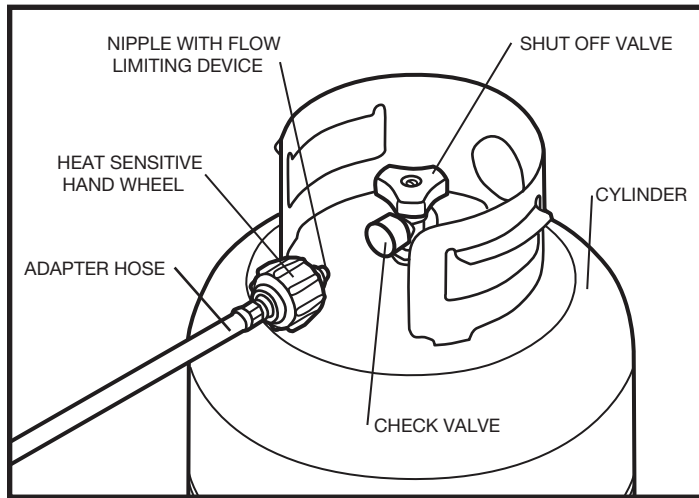


figure 7

1. The QCC® coupling contains a magnetic Flow Limiting Device which will limit the flow of gas should there be a leak between the regulator and the appliance valve. This device will activate if the cylinder valve is opened while the appliance valves are open. Be sure the appliance valves are off before the cylinder valve is opened to prevent accidental activation.
2. The QCC® coupling incorporates a heat sensitive hand wheel that will cause the back check module in the QCC® cylinder valve to close when exposed to temperatures between 240° and 300°F. Should this occur, do not attempt to reconnect the nut. Remove hose/ regulator assembly and replace with a new one.
3. The pressure regulator is set at 11 inches WC (water column) and is for use with propane only. The hose and hose couplings comply with CSA Standard CAN 1.83. **No modifications or substitutions should be attempted.**
4. Protect the hose from dripping grease and do not allow the hose to touch any hot surface, including the base casting of the windproof stove.
5. Inspect seal in the QCC® cylinder valve when replacing propane cylinder or once per year, whichever is more frequent. Replace seal if there is any indication of cracks, creases, or abrasion.
6. Inspect hose before each use of the stove. If the hose is cracked, cut, abraded or damaged in any way, the appliance must not be operated.
7. For repair or replacement of hose/regulator assembly, contact **Zippo Consumer Relations at 888-368-0826.**

QCC®-1 CONNECTION (Large Propane Cylinders)

1. Be sure the cylinder valve and appliance valves are off.
2. While holding the regulator in one hand, push the adapter hose into the regulator and turn clockwise until tight. Pull the quick connect coupler back until it clicks, as shown in figure 8.
3. Center the nipple of the adapter hose in the cylinder valve and hold in place. Using the other hand, turn the hand wheel clockwise until there is a positive stop.

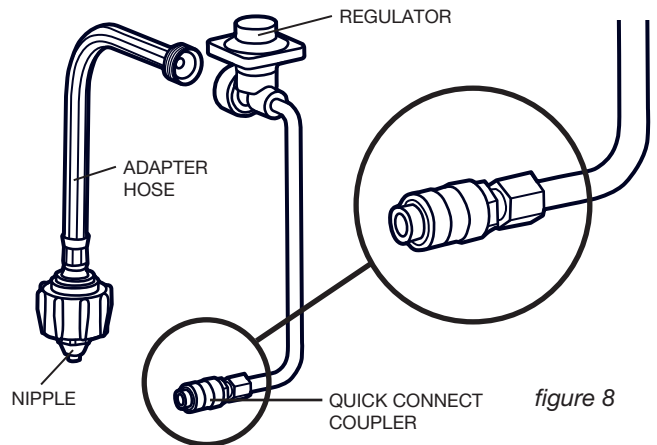


figure 8

5. Be sure appliance valves are shut off.

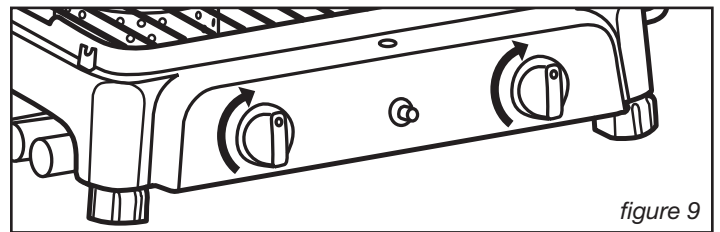


figure 9

6. With the propane QCC®-1 adaptor hose assembled on the regulator, the QCC®-1 adaptor hose connected to the propane cylinder and the quick connect coupler pulled back. Push the quick-connect coupler onto the valve assembly, until it clicks as shown in figure 10.

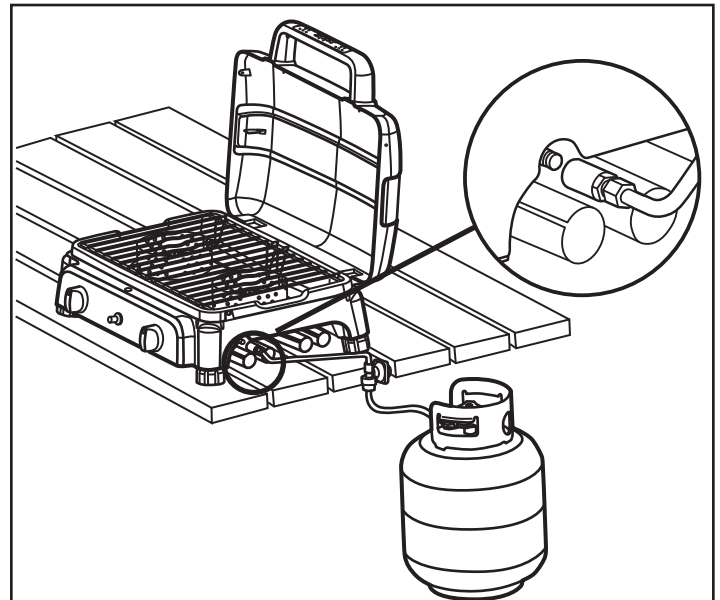


figure 10

- Position the propane cylinder as shown in the illustration for table top mode and for free standing mode.

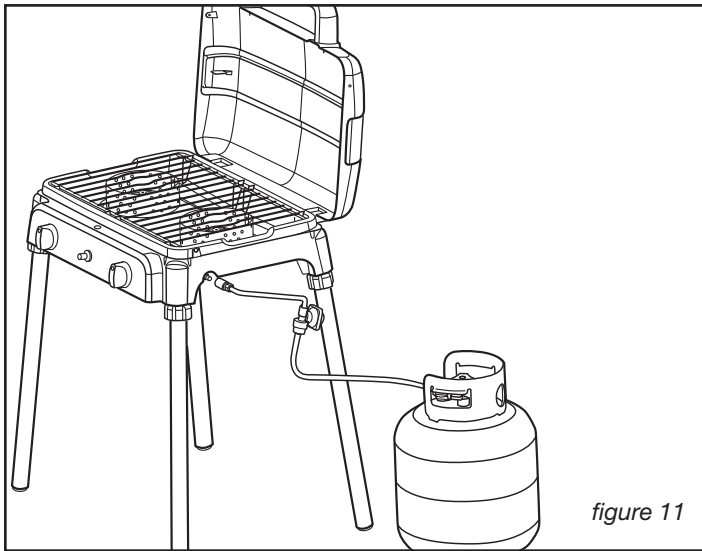


figure 11

- Do not use tools. Hand tighten only. When making the connection, hold the adapter hose in a straight line with the cylinder valve, and be sure to not cross thread the connection.
- Leak test the connections. See “Leak Testing Section.”
- Refer to lighting instructions.
- To avoid activating the Flow Limiting Device, when lighting, open the cylinder valve slowly with the appliance valves off. If the Flow Limiting Device is accidentally activated, turn off the appliance valves and cylinder valve and wait 10 seconds to allow the device to reset. Open the cylinder valve slowly, then open the appliance valve.

PROPANE CYLINDER

The Propane Cylinder is not included with the Zippo® Windproof Stove™. QCC® valve equipped cylinders are available from your gas grill dealer or propane supplier. This valve is recognized by the external threads on the inlet port of the valve.

Any attempt to connect the supplied hose, by use of adapters or any other means, to any other type of valve could result in damage, fire or injury and may negate the important safety features designed into the QCC®-1 system.

SPECIFICATION:

- Any propane cylinders used with this appliance must be constructed and marked in accordance with the *Specifications for LP Gas Cylinders* of the U.S. Department of Transportation (D.O.T.) or the *National Standard of Canada, CAN/CSA-B339, Cylinders, Spheres and Tubes for Transportation of Dangerous Goods; and Commission*, as applicable.
- The propane cylinder used for this appliance must not have a capacity larger than 20 lb. (9 kg). Approximately 18” (46 cm) high, or 12” (31 cm) diameter.
- Any propane cylinders used with this appliance should be inspected at every filling and re-qualified by a licensed service outlet at the expiry date (10 years), in accordance with the DOT (USA) and CTC (Canada) codes for LP Gas Cylinders.

- Any propane cylinders used with this appliance must be provided with a shutoff valve terminating in a cylinder valve outlet No. 510, specified in the Standard for Compressed Gas Cylinder Valve Outlet and Inlet Connection (USA) ANSI/CSA-V-1-1977 (Canada) CSA B96. The cylinder supply system must be arranged for vapor withdrawal. The cylinder must include a collar to protect the cylinder valve. The cylinder must be installed as per assembly instructions. Never fill the cylinder beyond 80% full. A fire causing death or serious injury may occur. The cylinder valve must include a safety relief device having direct communication with the vapor space of the cylinder.

HANDLING:

- Government regulations prohibit consumer shipping propane cylinders.
- A filled propane cylinder is under very high pressure. Always handle carefully and transport in the upright position. Protect the valve from accidental damage.
- Do not tip the propane cylinder while connecting it to the regulator. Fasten the cylinder securely during transport, use and storage.
- If the cylinder is tipped after it is connected to the regulator, shut off the gas, disconnect the regulator and have it checked before using again.

STORAGE:

- Store the propane cylinder outdoors in a well ventilated place.
- Do not store the propane cylinder in direct sunlight, near a source of heat or combustion.
- If you intend to store the windproof stove indoors, disconnect and remove the propane cylinder first. Disconnected cylinders must have a dust cap installed. Large Propane Cylinders must not be stored in a building, garage or any other enclosed area.
- Keep out of the reach of children.
- When the propane cylinder is connected to the windproof stove, the windproof stove and propane cylinder must be stored outside in a well ventilated place.

OPERATION:

- Never connect your stove to a propane cylinder without the regulator provided, and **NEVER TO AN UNREGULATED PROPANE SUPPLY**. The gas regulator supplied with the appliance must be used.
- Always** leak test the propane cylinder to regulator connection when connecting the propane cylinder to the appliance. See “Leak Testing Section”.
- DO NOT** operate appliance if the smell of propane is present. Extinguish all flame and determine source of propane before proceeding. **DO NOT** ignite the appliance until the propane leak has been found and sealed and the area has been properly ventilated.
- Always** shut off propane cylinder valve when the appliance is not in use.

OPD EQUIPPED CYLINDER

IDENTIFICATION

To identify these cylinders, the new OPD knob has been standardized to the shape shown.

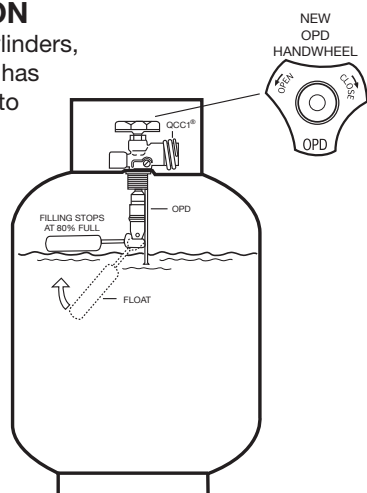


figure 12

OVERFILL PREVENTION DEVICE

The standard for outdoor gas appliances, ANSI Z21.58/ CAN/ CSA-1.6, requires that appliances are to be used with cylinders equipped with an Overfill Prevention Device (OPD).

LEAK TESTING

All factory-made connections have been thoroughly tested for gas leaks. However, shipping and handling may have loosened a gas fitting.

AS A SAFETY PRECAUTION:

- TEST ALL FITTINGS FOR LEAKS BEFORE USING YOUR GAS WINDPROOF STOVE.
- TEST THE CYLINDER VALVE FOR LEAKS EACH TIME THE CYLINDER IS FILLED.
- TEST FOR LEAKS EVERY TIME YOU CONNECT A GAS FITTING.
- DO NOT SMOKE!
- NEVER TEST FOR LEAKS WITH A LIGHTED MATCH OR OPEN FLAME.
- TEST FOR LEAKS OUTDOORS.

TO TEST FOR LEAKS:

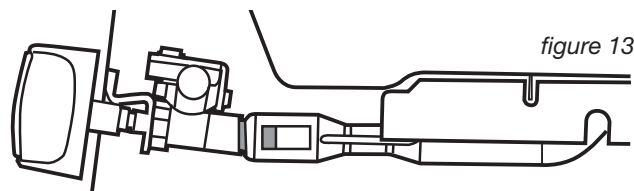
1. Extinguish any open flame or cigarettes in the area.
2. Be sure that cylinder valve and appliance valves are off.
3. Connect propane cylinder. See "Installation Section".
4. Prepare a soap solution of one part water, one part liquid detergent.
5. With a full gas cylinder, open cylinder slowly.
6. Brush the soap solution on each connection.
 - a. Valve to regulator connection
 - b. Regulator to propane cylinder/ adapter hose connection
 - c. Adapter hose to large propane cylinder connection
7. A leak is identified by a flow of bubbles from the area of the leak.
8. If a leak is detected, close the gas cylinder "shut-off" valve, tighten the connection and retest (Step 5).
9. If the leak persists, **contact Zippo Consumer Relations at 888-368-0826 for assistance.** Do not attempt to operate appliance if a leak is present.

LIGHTING INSTRUCTIONS

The lighting instructions are the same for both modes of usage and both propane supply configurations.

Before lighting:

- The appliance must be assembled as per the assembly instructions.
- Check that there is fuel in the propane cylinder and that it is properly connected to the regulator.
- Check that there are no gas leaks in the gas supply system. See "Leak Testing".
- Check that the venturi tube is properly located over the gas valve orifice, as shown in figure 13.
- Check that burner ignition wire is connected.
- Read carefully all instructions contained on the information plate attached to the barbecue.
- Set control knobs to "OFF" and turn on the gas supply.



BURNER VENTURI ALIGNED WITH VALVE

WARNING: Do not expose stove to flammable vapors or liquids during lighting.

1. Read operating instructions before lighting.
2. Open lid before lighting.
3. Push and turn control knob to "HIGH". Push the igniter 3 or 4 times, or match light.

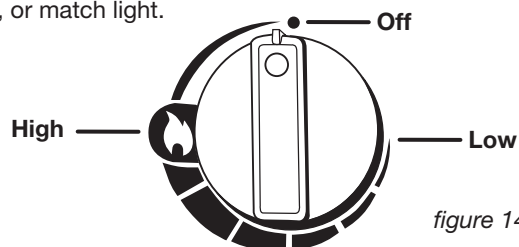


figure 14

4. If ignition does not occur in 5 seconds, turn burner controls to "OFF", wait 5 minutes and repeat lighting instructions.

CAUTION

Check the burner flame after ignition. All ports on the burner should show a 2.5cm flame on high setting.

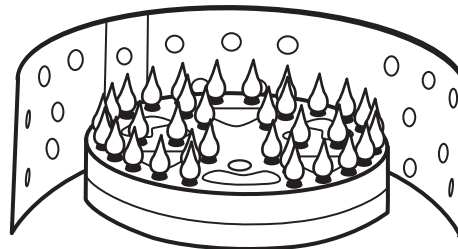


figure 15

IF BURNER DOES NOT IGNITE:

1. Turn control knob to off. Wait 5 minutes, then try again.
2. If the burner-venturi will not light, consult "Trouble Shooting Guide". If problem cannot be resolved, do not attempt to operate the appliance; **contact Zippo Consumer Relations at 888-368-0826.**

SHUT DOWN

Direct Connection (Small Propane Cylinder)

1. Turn control knobs to off.
2. Remove propane cylinder and place protective cap back on cylinder.
3. Remove regulator by pulling quick connect coupler back until it clicks.

QCC®-1 Connection (Large Propane Cylinder)

1. Turn cylinder valve off.
2. Turn control knobs to off.
3. Disconnect the adapter hose from regulator and large propane cylinder.
4. Remove regulator by pulling quick connect coupler back until it clicks.

TRANSPORT MODE

CAUTION

- CAUTION HOT SURFACES
 - Let the stove cool completely before cleaning, maintenance, storage or transportation.
 - Remove regulator adapter hose and propane tank before storage or transportation.
1. Lock lid in closed position with locking pins.

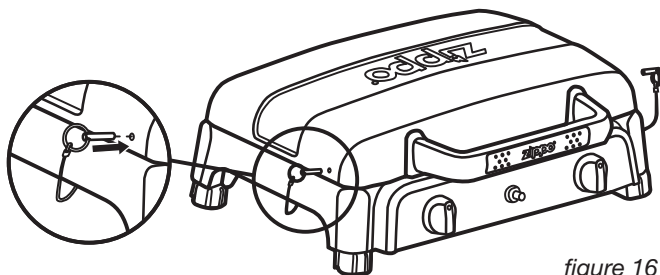


figure 16

2. Ensure optional accessory legs and regulator are secured into leg retainer, as shown in figure 17.

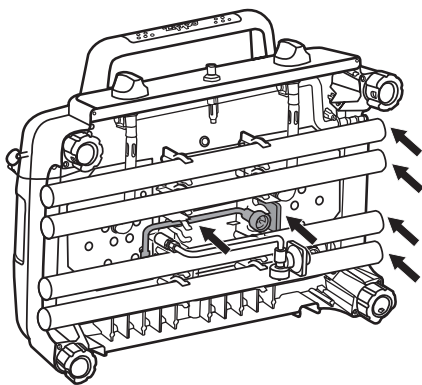


figure 17

3. Flip stove onto hinges to lift and carry like a suitcase.

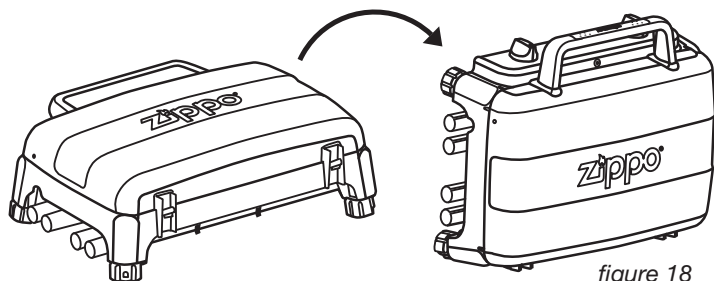


figure 18

MAINTENANCE

CAUTION

- CAUTION HOT SURFACES
- Let the stove cool completely before cleaning, maintenance, storage or transportation.

TO CLEAN

1. Move stove away from flame and other ignition sources.
2. Remove propane cylinder and regulator from stove.
3. Wipe surfaces clean with a damp soft cloth and a mild dish detergent. DO NOT USE ABRASIVES.
4. You can disassemble some components of the stove to assist in cleaning.

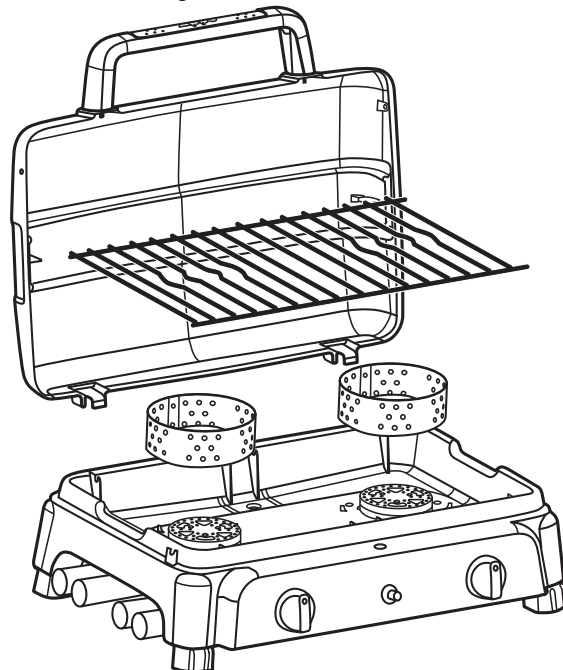


figure 19

Burner-Venturi Assembly

- KEEP BURNER-VENTURI ASSEMBLY CLEAN.
- Blockages caused by spiders, insects, and nests can cause a flashback fire.

Although the stove might still light, the backed up gas might also light resulting in a fire around the burner-venturi assembly at the control panel.

- * If a flashback fire occurs, turn off gas at the source immediately.

Inspect and clean the burner-venturi assembly if any of the following symptoms occur:

1. You smell gas.
2. Your stove does not reach temperature.
3. Your stove heats unevenly.
4. The burner-venturi makes popping noises.

Inspecting & Cleaning Burner-Venturi Assembly

1. Turn off gas at the source, i.e. the propane cylinder.
2. When stove is cool, remove lid, wire grate, and wind shields
3. From underneath the stove, pull ignitor wires free from ignitor electrodes and remove (2) burner screws that secure each burner to the stove, as shown in figure 20.

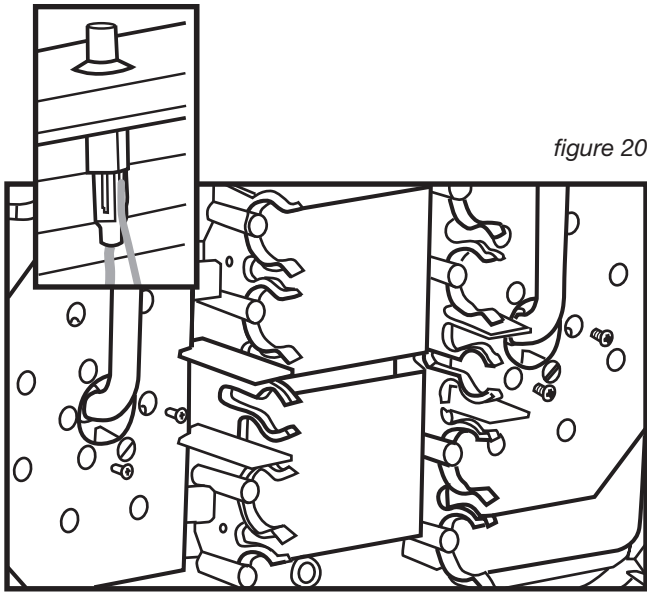


figure 20

4. Remove the burner-venturi assembly from the stove.

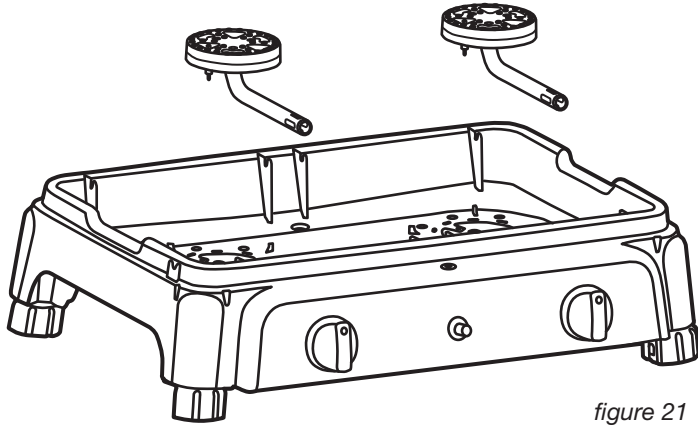


figure 21

5. Clean the burner-venturi assembly with a pipe cleaner or burner-venturi cleaning tool.

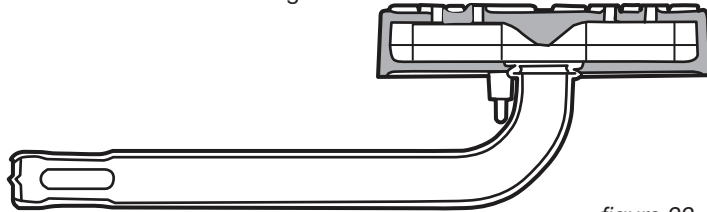


figure 22

6. Replace the burner-venturi assembly, making sure that the burner-venturi tube is correctly aligned with the screw holes and is aligned and fitted on the orifice.

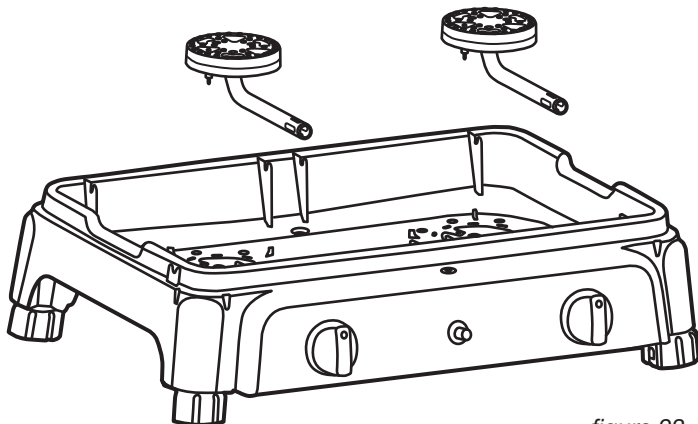


figure 23

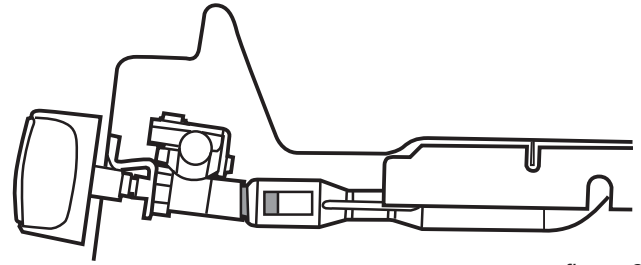


figure 24

7. Install burner screws and reconnect ignitor wires to ignitor electrodes.

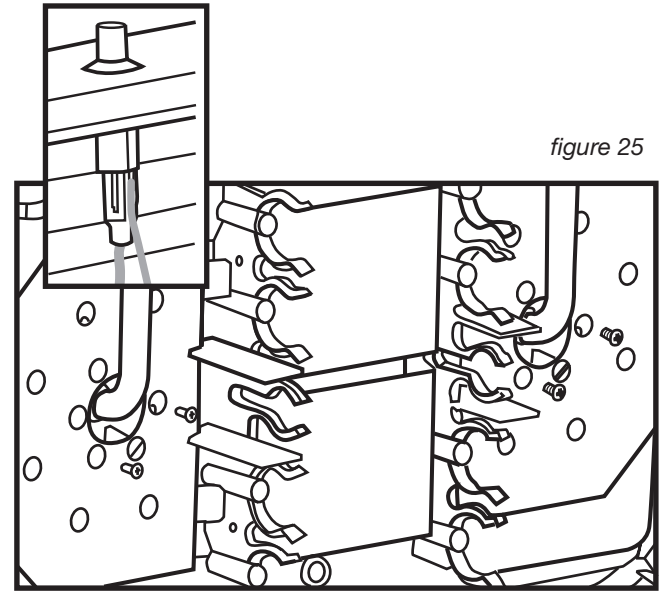


figure 25

8. Replace wind shields, wire grate, and lid.

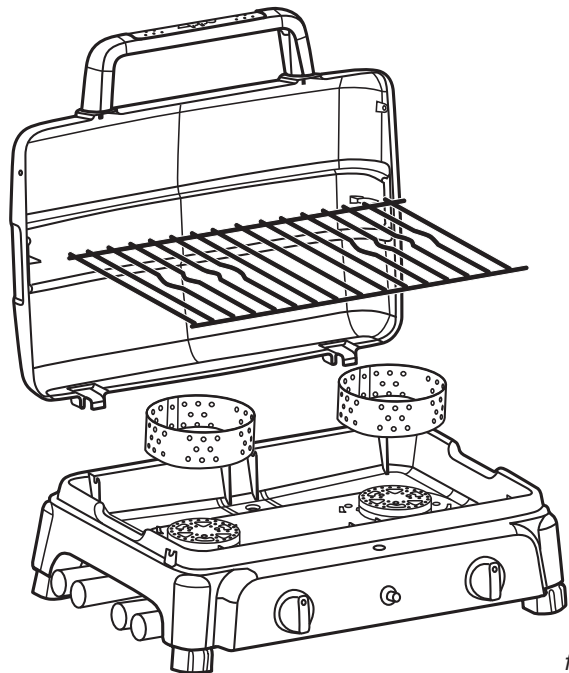


figure 26

MAINTENANCE

1. Keep stove and the area around the stove free from combustible materials, gasoline and other flammable liquids and vapors.
2. Do not obstruct the flow of combustion and ventilation air.
3. A good flame should be blue with a minimal yellow tip. Some yellow tips are acceptable as long as no carbon or soot deposits appear.

WARRANTY

LIMITED WARRANTY

5 years against defects on materials and workmanship of the lid, cook box, legs, valves, burner-venturi assembly, and cooking grate. Normal wear and tear, misuse, or abuse, use contrary to instructions, paint or plastic fading are excluded.

Any failure due to accident, abuse, misuse, alteration, misapplication, vandalism, improper installation or improper maintenance or service, or failure to perform normal and routine maintenance, including damage caused by insects in burner-venturi assembly, are excluded.

REPLACEMENT PARTS

Genuine Zippo® Windproof™ Stove Parts must always be used for replacement. Use of any other parts will automatically nullify the above warranty. Contact **Zippo Consumer Relations at 888-368-0826** for repairs or replacement parts. To ensure optimum performance, use only genuine Zippo® Windproof Stove™ replacement parts.

BURNER-VENTURI ASSEMBLY

The life of the Zippo® Windproof™ Stove burner-venturi assembly depends almost entirely on proper use, cleaning and maintenance. This warranty does not cover failure due to improper use and maintenance.

PROPANE CYLINDER

Zippo Manufacturing Company does not manufacture Propane Cylinders. The Propane Cylinder manufacturer is responsible for the materials, workmanship and performance of the cylinder.

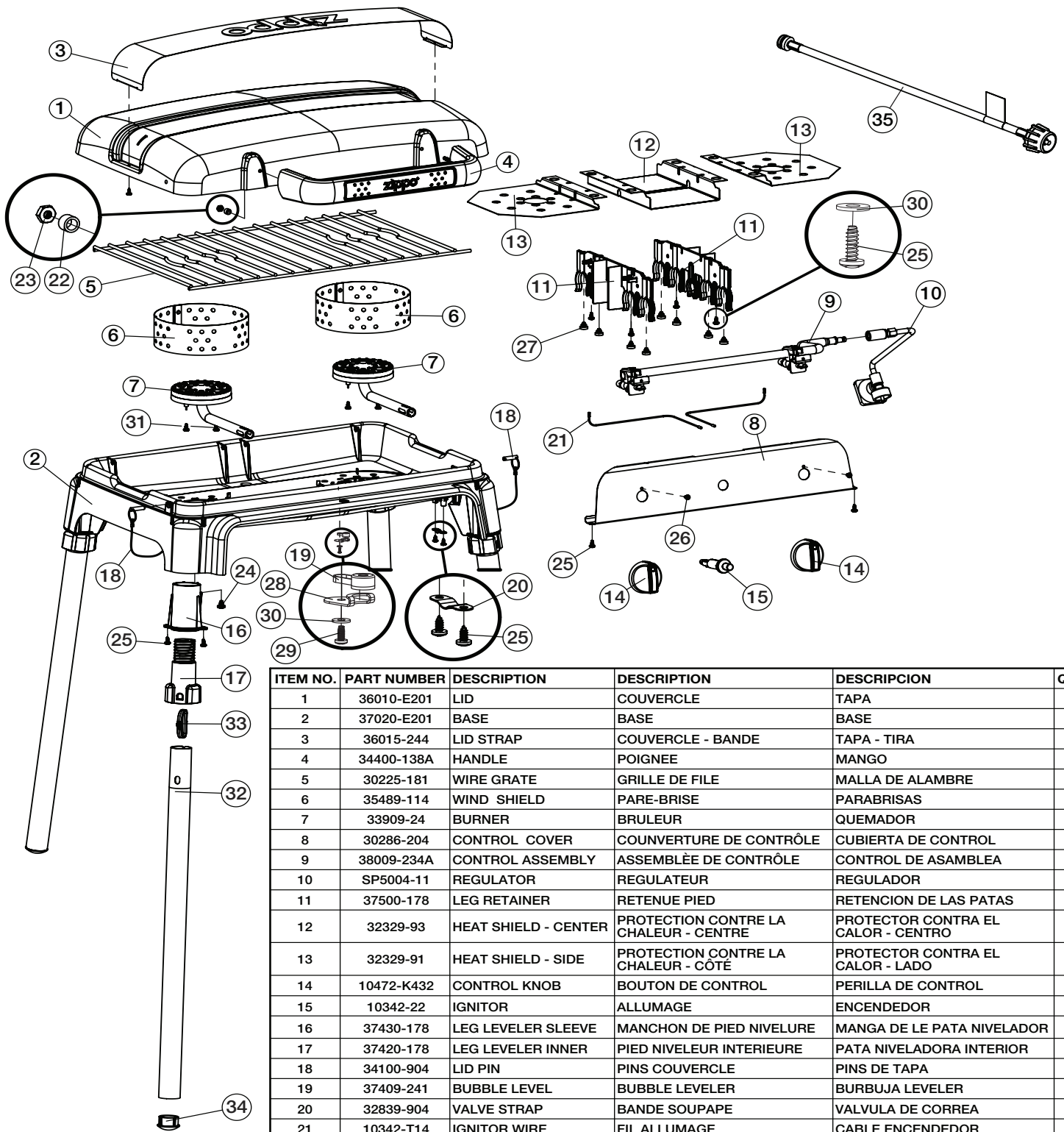
If the cylinder has a defect, malfunctions, or you have a question regarding the cylinder, contact your dealer or the propane cylinder manufacturer.

OPTIONAL ACCESSORIES

Legs Assembly	31408-201A
QCC-1 Adaptor Hose	30114-18

TROUBLE SHOOTING

PROBLEM	POSSIBLE CAUSE	CORRECTIVE ACTION
SMELL OF GAS	SHUT OFF GAS CYLINDER VALVE AT ONCE. DO NOT USE THE APPLIANCE UNTIL LEAK IS REPAIRED.	
Leak detected at cylinder, regulator or other connection.	<ol style="list-style-type: none"> 1. Regulator fitting loose. 2. Gas leak in hose/regulator or control valves. 	<ol style="list-style-type: none"> 1. Tighten fitting and "Leak Test Section". 2. Contact Zippo Consumer Relations at 888-368-0826.
Flame flashback beneath control panel.	<ol style="list-style-type: none"> 1. Burner-Venturi blocked. 	<ol style="list-style-type: none"> 1. Remove burner-venturi, clean burner-venturi. See "Burner-Venturi Assembly Section".
Burner will not light.	<ol style="list-style-type: none"> 1. Out of propane. 2. Igniter wire(s) not connected. 3. Igniter electrode misaligned on burner-venturi . 4. Igniter malfunction. 5. Regulator is not fully connected to the cylinder valve. 6. Burner valve left open while cylinder valve was opened causing excess flow device to activate. 7. A leak in the system causing the excess flow device to activate. 8. Burner-Venturi blocked. 9. Burner-Venturi not aligned with valve orifice. 10. Orifice is blocked 11. Hose is twisted. 	<ol style="list-style-type: none"> 1. Refill Propane Cylinder. 2. Connect both burner-venturi wires. 3. Realign electrode. 4. Use "Manual Lighting" Procedure or replace. 5. Tighten the regulator hand wheel. 6. Close burner and cylinder valves. Open cylinder valve slowly, then open burner valve to light. 7. Leak test connections to determine loose fitting. Tighten fitting. Leak test system. 8. Remove burner, clean burner-venturi. See "Burner-Venturi Assembly Section". 9. Realign burner-venturi to orifice. See "Burner-Venturi Assembly Section". 10. Remove burner, clean orifice with a pin or fine wire. Do not attempt to drill orifice. 11. Straighten hose. Check for damage, replace if necessary. Keep away from bottom casting.
Decreasing heat, "popping sound".	<ol style="list-style-type: none"> 1. Out of propane. 2. Burner-Venturi blocked. 	<ol style="list-style-type: none"> 1. Refill Propane Cylinder. 2. Remove burner, clean burner-venturi. See "Burner-Venturi Assembly Section".
"Flare-ups" or grease fires.	<ol style="list-style-type: none"> 1. Excessive grease buildup. 2. Excessive heat. 	<ol style="list-style-type: none"> 1. See "Maintenance". 2. Turn burner controls to a lower setting.
Humming noise from regulator.	<ol style="list-style-type: none"> 1. Cylinder valve turned on too quickly. 	<ol style="list-style-type: none"> 1. Close control knobs. Reopen cylinder valve slowly before reigniting.
Yellow Flame.	<ol style="list-style-type: none"> 1. Some yellow flame is normal. If it becomes excessive the burner-venturi may be blocked. 2. Burner ports blocked. 	<ol style="list-style-type: none"> 1. Remove burner, clean burner-venturi. See "Burner-Venturi Assembly Section". 2. Remove burner & clean with soft bristle brush.



ITEM NO.	PART NUMBER	DESCRIPTION	DESCRIPTION	DESCRIPCION	QTY
1	36010-E201	LID	COUVERCLE	TAPA	1
2	37020-E201	BASE	BASE	BASE	1
3	36015-244	LID STRAP	COUVERCLE - BANDE	TAPA - TIRA	1
4	34400-138A	HANDLE	POIGNEE	MANGO	1
5	30225-181	WIRE GRATE	GRILLE DE FILE	MANGA DE ALAMBRE	1
6	35489-114	WIND SHIELD	PARE-BRISE	PARABRISAS	2
7	33909-24	BURNER	BRULEUR	QUEMADOR	2
8	30286-204	CONTROL COVER	COUNVERTURE DE CONTRÔLE	CUBIERTA DE CONTROL	1
9	38009-234A	CONTROL ASSEMBLY	ASSEMBLÉE DE CONTRÔLE	CONTROL DE ASAMBLEA	1
10	SP5004-11	REGULATOR	REGULATEUR	REGULADOR	1
11	37500-178	LEG RETAINER	RETENUE PIED	RETENCION DE LAS PATAS	2
12	32329-93	HEAT SHIELD - CENTER	PROTECTION CONTRE LA CHALEUR - CENTRE	PROTECTOR CONTRA EL CALOR - CENTRO	1
13	32329-91	HEAT SHIELD - SIDE	PROTECTION CONTRE LA CHALEUR - CÔTÉ	PROTECTOR CONTRA EL CALOR - LADO	2
14	10472-K432	CONTROL KNOB	BOUTON DE CONTROL	PERILLA DE CONTROL	2
15	10342-22	IGNITOR	ALLUMAGE	ENCENDEADOR	1
16	37430-178	LEG LEVELER SLEEVE	MANCHON DE PIED NIVELURE	MANGA DE LE PATA NIVELADOR	4
17	37420-178	LEG LEVELER INNER	PIED NIVELEUR INTERIEURE	PATA NIVELADORA INTERIOR	4
18	34100-904	LID PIN	PINS COUVERCLE	PINS DE TAPA	2
19	37409-241	BUBBLE LEVEL	BUBBLE LEVELER	BURBUJA LEVELER	1
20	32839-904	VALVE STRAP	BANDE SOUPE	VALVULA DE CORREA	1
21	10342-T14	IGNITOR WIRE	FIL ALLUMAGE	CABLE ENCENDEADOR	2
22	S21277	SPACER - 1/4	ESPACEUR - 1/4	SEPARADOR - 1/4	2
23	SP23-16	NUT - #10-24	ECROU - #10-24	TUERCA - #10-24	2
24	Y-12865	SCREW - 1/4-20 x 1/2	VIS - 1/4-20 x 1/2	TORNILLO - 1/4-20 x 1/2	4
25	S21123	SCREW - #8-32 x 1/2	VIS - #8-32 x 1/2	TORNILLO - #8-32 x 1/2	18
26	S21125	SCREW - #8-24 x 3/8	VIS - #8-24 x 3/8	TORNILLO - #8-24 x 3/8	2
27	Y-11231	SILICON PAD	BOUCHON	TAPADERO	8
28	32031-004	BUBBLE LEVEL BRACKET	SUPPORT AVEC NIVEAU À BULLE	SOPORTE PARA NIVEL DE BURBUJA	1
29	S21136	SCREW - #8-32 x 3/8	VIS - #8-32 x 3/8	TORNILLO - #8-32 x 3/8	1
30	Y-12853	WASHER - #8	RONDELLE NO 8	ARANDELA - #8	5
31	SP41-18	SCREW - #10-24 x 3/4	VIS - #10-24 x 3/4	TORNILLO - #10-24 x 3/4	4
32*	31408-201	LEG	PIED	PATA	4
33*	Y-12662	LEG CLIP	CLIP PIED	CLIP PATA	4
34*	31003-248	LEG PLUG	FICHE DE PIED	TAPON DE PATA	4
35*	30114-18	QCC-1 ADAPTER HOSE	TUYAU ADAPTATEUR QCC-1	ADAPTADOR DE MANGUERA QCC=1	1

* Optional Accessories / Optional Accessories / Optional Accessories