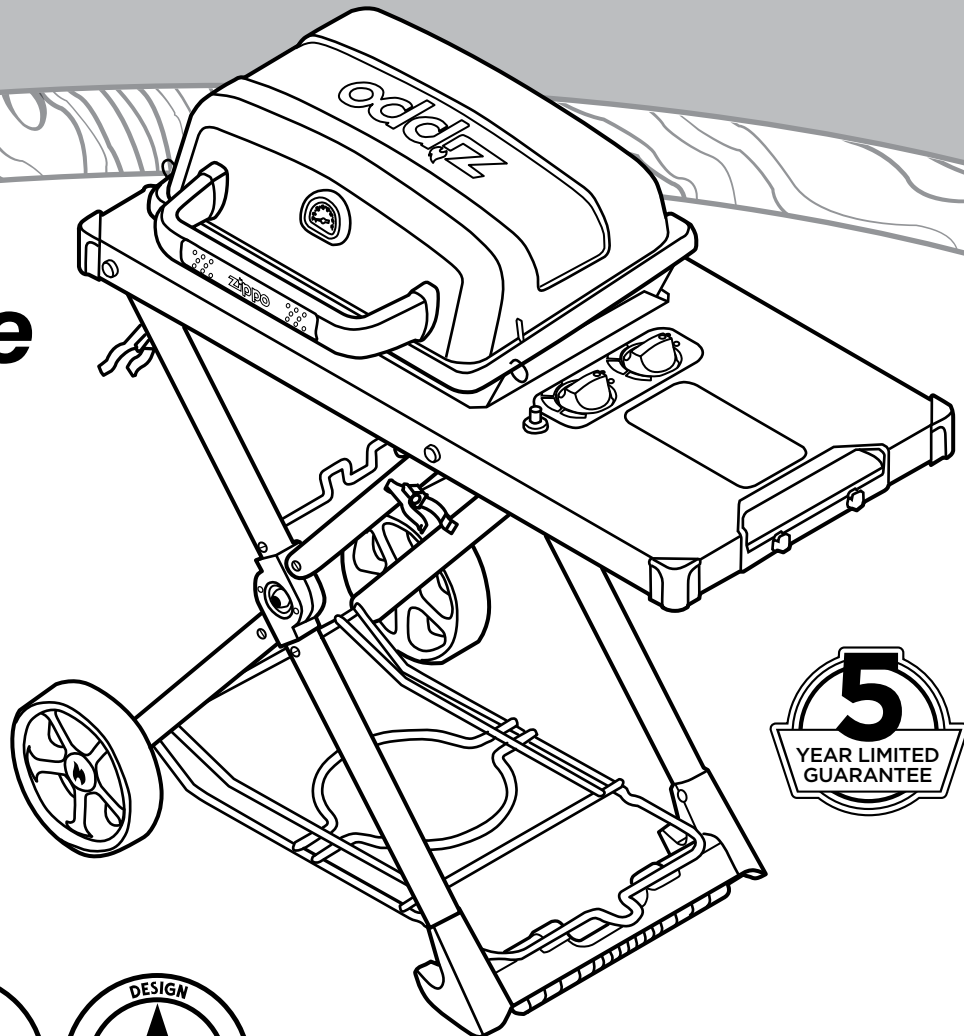




ALL-TERRAIN GRILL™

Use & Care Manual

Safety 2
 Operation 2
 Ignition 8
 Cooking..... 9
 Maintenance 9
 Transport and Storage 10
 Warranty..... 12
 Trouble Shooting 13
 Parts Listing..... 14
 Assembly Diagram 15



ANSI Z21.58b-2012
CSA 1.6b-2012
MODEL #: 8108-54Z



ZIPPO MODEL #: 44024

PLEASE RECORD YOUR SERIAL NUMBER, LOCATED ON BACK OF GRILL ALONG EDGE OF WORK SURFACE, AND THE DATE OF PURCHASE BELOW.

SERIAL NUMBER _____

DATE OF PURCHASE _____

THIS INSTRUCTION MANUAL CONTAINS IMPORTANT INFORMATION NECESSARY FOR THE PROPER ASSEMBLY AND SAFE USE OF THE APPLIANCE. READ AND FOLLOW ALL WARNINGS AND INSTRUCTIONS BEFORE ASSEMBLING AND USING THE APPLIANCE. FOLLOW ALL WARNINGS AND INSTRUCTIONS WHEN USING THE APPLIANCE.



Zippo Manufacturing Company
33 Barbour Street,
Bradford, Pennsylvania 16701 USA
Telephone: 888-368-0826
Customer Care Website: zippo.com

Assembled in USA with domestic and foreign components.

SAFETY

Your new Zippo® All-Terrain Grill™ is a safe, convenient appliance when assembled and used properly. However, as with all gas-fired products, certain safeguards must be observed. **Failure to follow these safeguards may result in damage or injury including fire or explosion which could cause property damage, personal injury, or death.** If you have questions concerning assembly or operation, consult your dealer, gas appliance serviceman, your gas company or **Zippo Consumer Relations at 888-368-0826.**

DANGER

If you smell gas:

- 1. Shut off gas to the appliance**
- 2. Extinguish any open flame**
- 3. Open lid**
- 4. If odor continues, immediately call your gas supplier or your fire department**

WARNING

- 1. Do not store or use gasoline or other flammable vapors and liquids in the vicinity of this or any other appliance.**
- 2. An LP cylinder not connected for use shall not be stored in the vicinity of this or any other appliance.**

CAUTION

- **FOR OUTDOOR USE ONLY.**
- **IF STORED INDOORS, DETACH AND LEAVE CYLINDER OUTDOORS.**
- **SPECIAL CARE MUST BE TAKEN TO KEEP SMALL CHILDREN AWAY FROM HEATED SURFACES.**
- **DO NOT STORE OR USE GASOLINE OR OTHER FLAMMABLE LIQUIDS OR VAPORS IN THE VICINITY OF THIS OR ANY OTHER APPLIANCE.**
- **NEVER OPERATE THIS APPLIANCE UNATTENDED. THIS APPLIANCE IS NOT INTENDED FOR COMMERCIAL USE.**
- **USE CAUTION WHEN HANDLING OR TRANSPORTING THIS PRODUCT. METAL EDGES CAN PRESENT A HAZARD. USE APPROPRIATE GLOVES WHEN LIFTING OR HANDLING.**
- **DO NOT SIT, STAND OR PLACE EXCESSIVE WEIGHT ON APPLIANCE OR SHELF.**
- **USE ON LEVEL GROUND**

ELECTRICAL CAUTION

1. If any accessory is used on this appliance that requires an external electrical power source, the accessory, when installed, must be electrically grounded in accordance with local codes. In the absence of local codes, the following standards apply:

**(U.S.A.) ANSI/NFPA No. 70-Latest Edition
and (CANADA) CSA C22.1 Canadian Electrical Code**

2. Do not cut or remove the grounding prong from the plug.

3. Keep the electrical supply cord and fuel supply hose away from any heated surface.

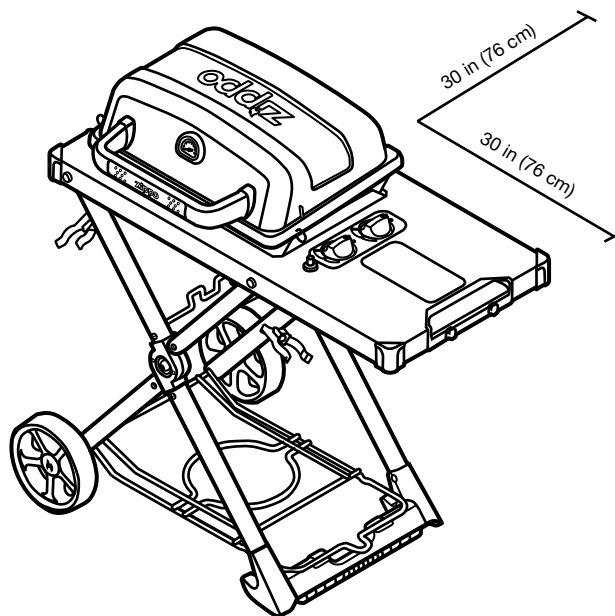
OPERATION

WARNING

Fuels used in gas or oil-fired appliances, and the products of combustion of such fuels, contain chemicals known to the State of California to cause cancer, birth defects or other reproductive harm.

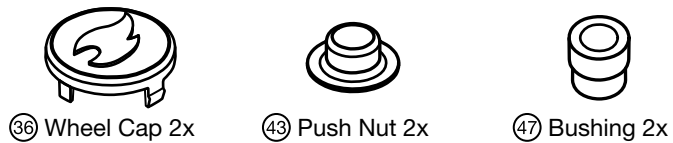
“This warning is issued pursuant to California Health and Safety Code Sec. 25249.6”

1. In the U.S.A., this appliance must be installed in accordance with the local code and the relevant national code. **ANSI Z223.1/NFPA 54 – Latest Edition National Fuel Gas Code and Latest Local Codes where Applicable**
In Canada, this appliance must be installed in accordance with the local code and the relevant CSA standards: **CSA-B149.1 Natural Gas and Propane Installation Code**
2. The appliance must be located away from combustible surfaces by at least 30 in (76 cm) from each side, and 30 in (76 cm) from the rear.



3. **DO NOT** operate this appliance under any overhead roof construction or foliage.
4. This appliance is for **OUTDOOR USE ONLY. DO NOT** operate in garage, shed, or other such enclosed areas.
5. **DO NOT** restrict the flow of air to the appliance.
6. Keep the area surrounding the appliance free of combustible materials, gasoline, and all flammable liquids and vapors.
7. This appliance is not intended to be installed in, or on, recreational vehicles and/or boats.
8. Do not store a spare propane cylinder under or near a grill, or other heat sources. **NEVER** fill a propane cylinder beyond 80% full; a fire causing serious injury or death may occur.
9. Do not move the appliance while in use.
10. The use of alcohol, prescription or non-prescription medication may impair the consumer's ability to properly assemble or safely operate the appliance. Do not operate when impaired.

- 11. Do not leave the appliance unattended. Keep children and pets away from the unit at all times.
- 12. This appliance is not intended for and should never be used as a heater.



Assembly

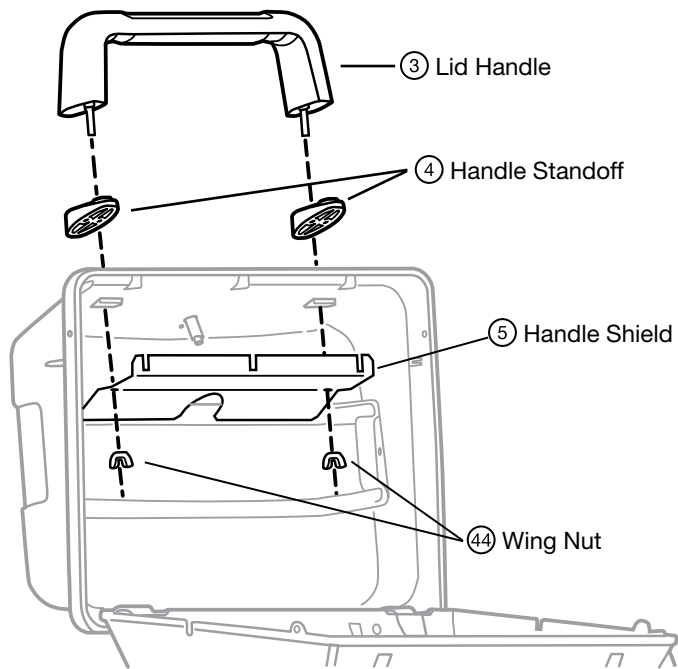


figure 1

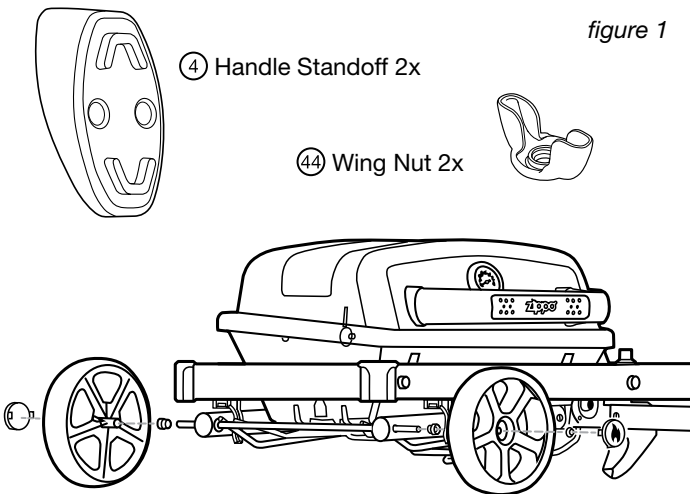


figure 2a

Insert Push Nut into tool as shown in figure below.

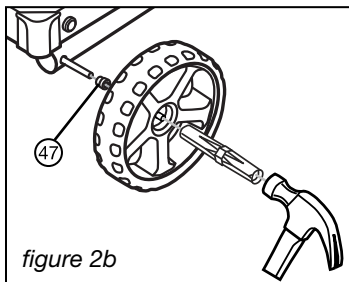
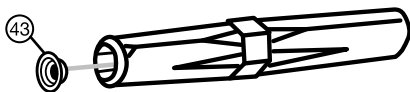


figure 2b

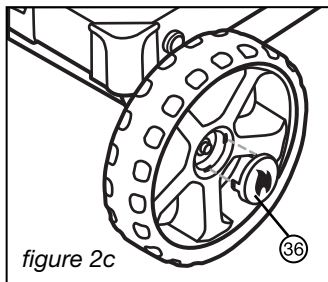


figure 2c

Carefully use a hammer to tap push nuts onto axle

Raise/Grill Mode

1. Place foot on tow handle as shown in figure 3.
2. While holding onto the work surface, pull upward evenly on both sides until buttons lock in middle holes.

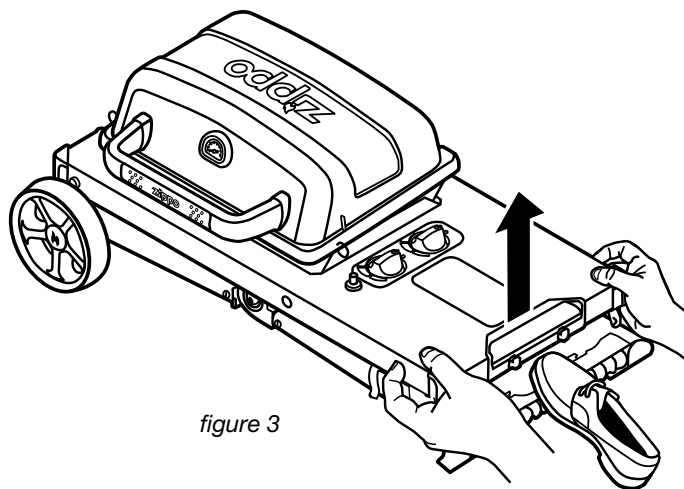


figure 3

NOTE: Make sure buttons lock into holes on both sides of work surface, as shown in figure 4.

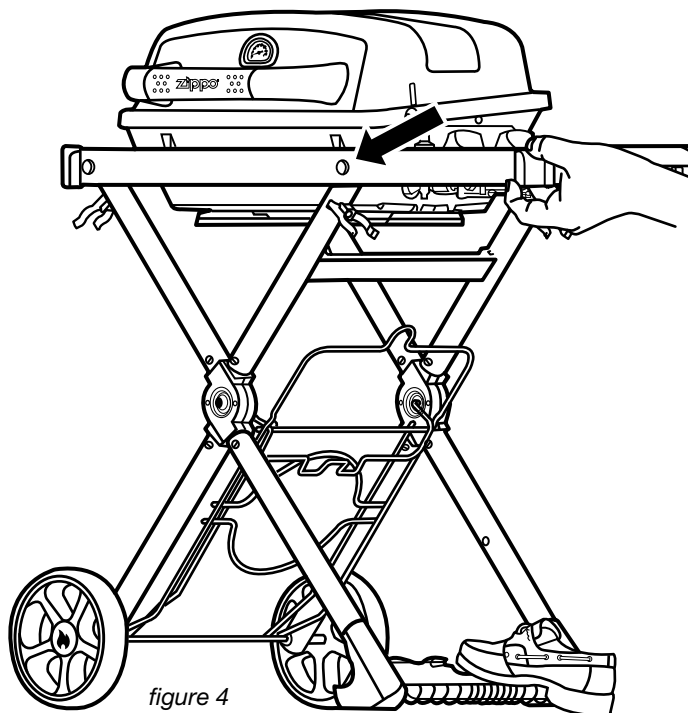
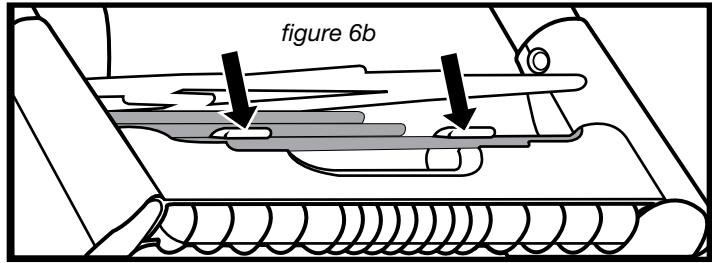
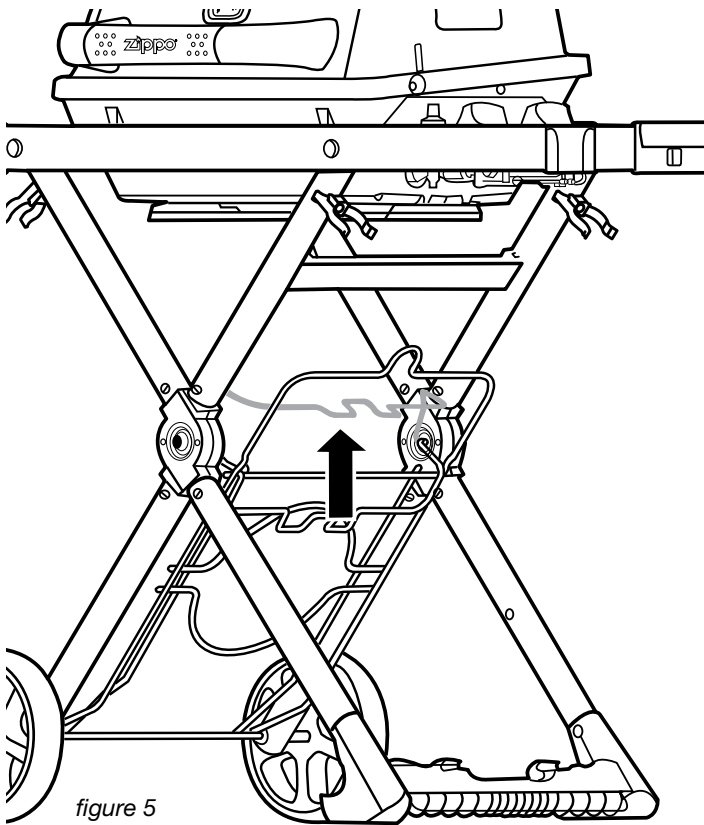
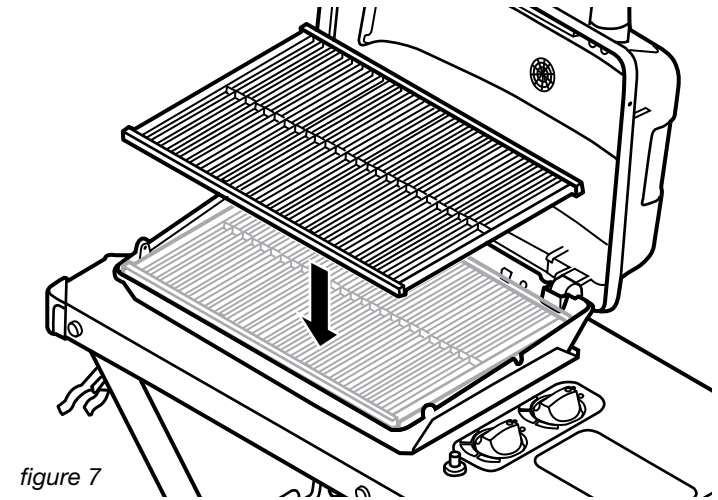


figure 4

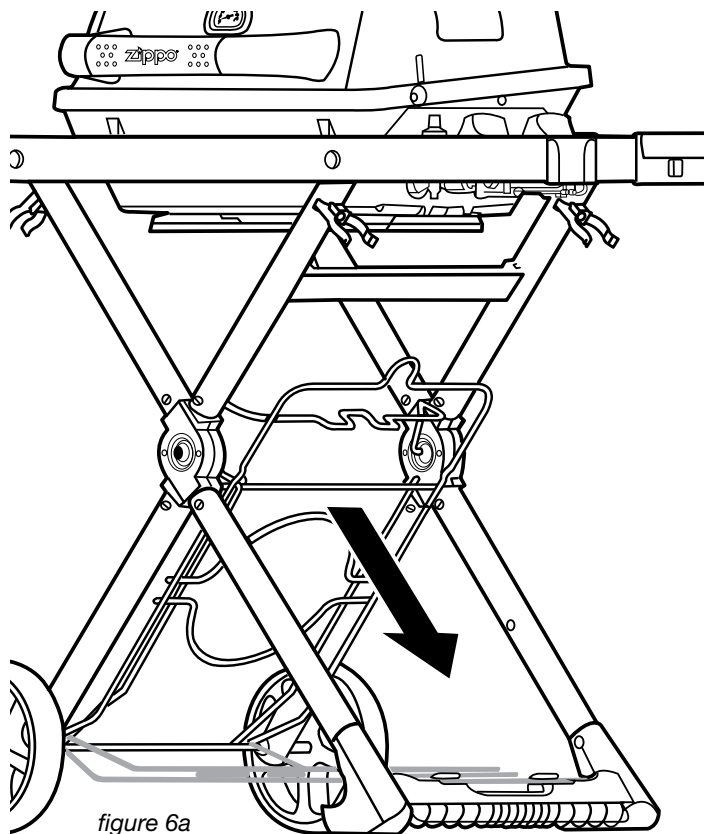
Lift ③③ Tank Retainer to release ③② Tank Support Bracket as shown in figure 5.



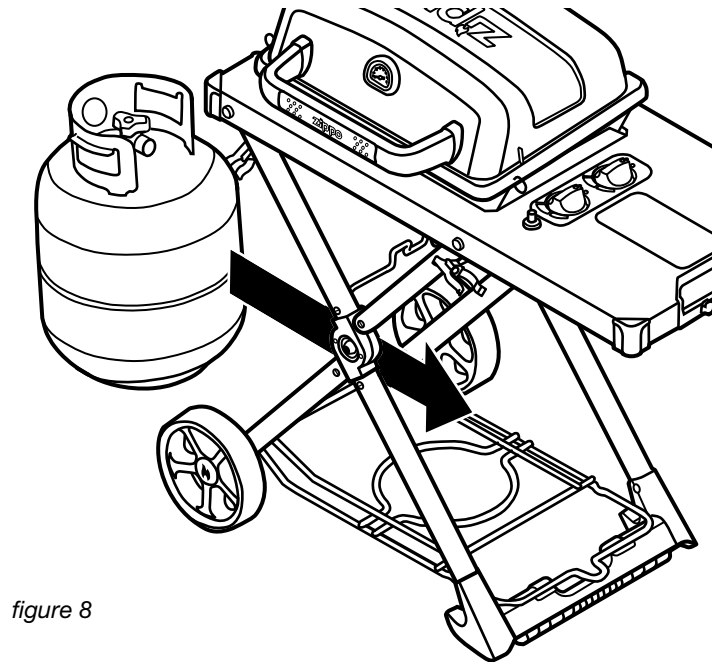
Install ⑧ Cooking Grate as shown in figure 7.



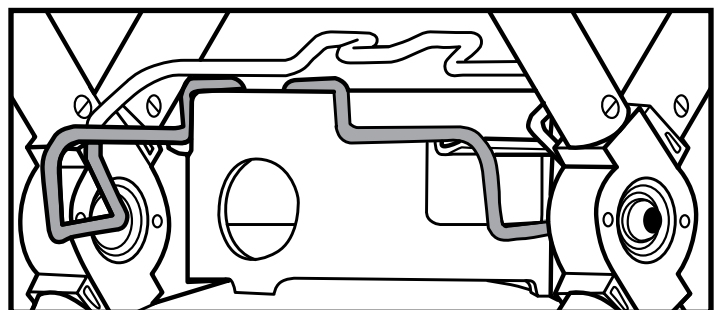
Lower ③② Tank Support Bracket as shown in figure 6a. Then snap into ③⑤ Leg Handle as shown in figure 6b.
IMPORTANT: The ③② Tank Support Bracket should always be lowered for stability



Large propane cylinder installation, **cylinder not included.**



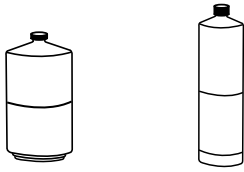
Lock ③③ Tank Retainer to hold the cylinder in place.



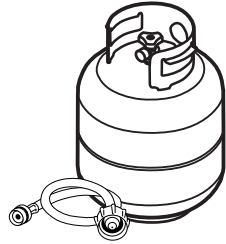
This grill accommodates these cylinder sizes, not included.

Small Propane Cylinder
 • direct connection

Large Propane Cylinder
 • connect with Zippo supplied hose only



16.4 oz. (465 g) 14.1 oz. (400 g)



20 lb. (9 kg)

Small Propane Cylinders / Direct Connection

CAUTION

Not for use with natural gas.

Use cylinders that are marked "Propane Fuel" only.

Use small propane cylinders with a capacity of 14.1 oz. or 16.4 oz. These cylinders are typically available in the camping, hardware, or plumbing sections of your local retailer.

NOTE: Your grill is equipped with a fuel supply system designed for vapor withdrawal.

1. Remove protective cap from propane cylinder.
2. Align and push the small propane cylinder into the regulator and turn clockwise until tight.

WARNING

- **Do not use a wrench to tighten small propane cylinder connection. Using a wrench could damage the regulator coupling and could cause a leak and or fire.**
- **Disconnect small propane cylinder when grill is not in use.**

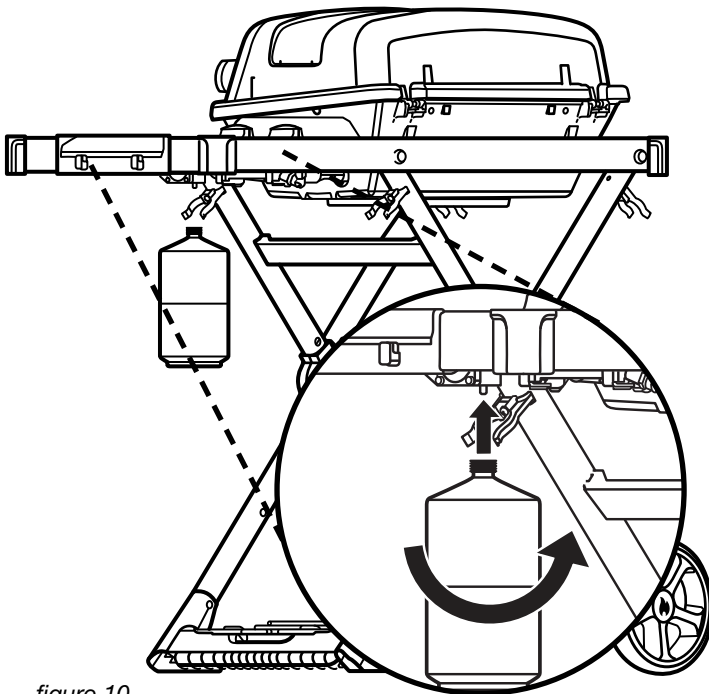


figure 10

QCC®-1 QUICK CLOSING COUPLING (Large Propane Cylinder)

The QCC®-1 system incorporates new safety features required by the American National Standards Institute (ANSI) and the Canadian Standards Steering Committee.

- * Gas will not flow until a positive connection has been made.
- * A thermal element will shut off the flow of gas between 240°F and 300°F.
- * When activated, a Flow Limiting Device will limit the flow of gas to 10 cubic feet per hour.

All models are equipped with a hose with a QCC®-1 Quick Closing Coupling.

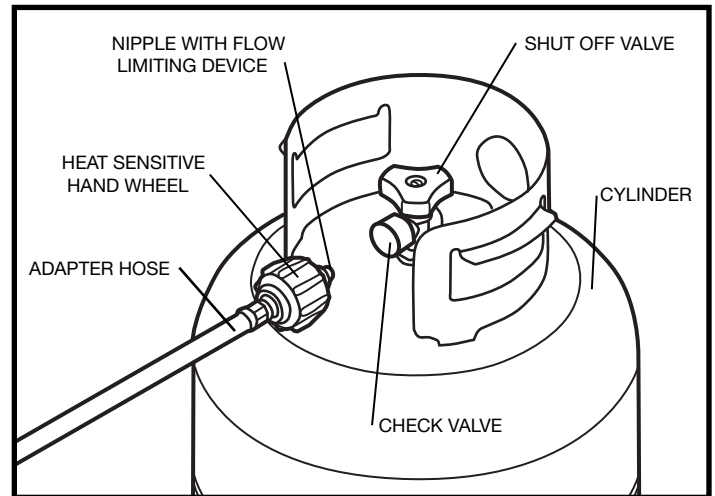
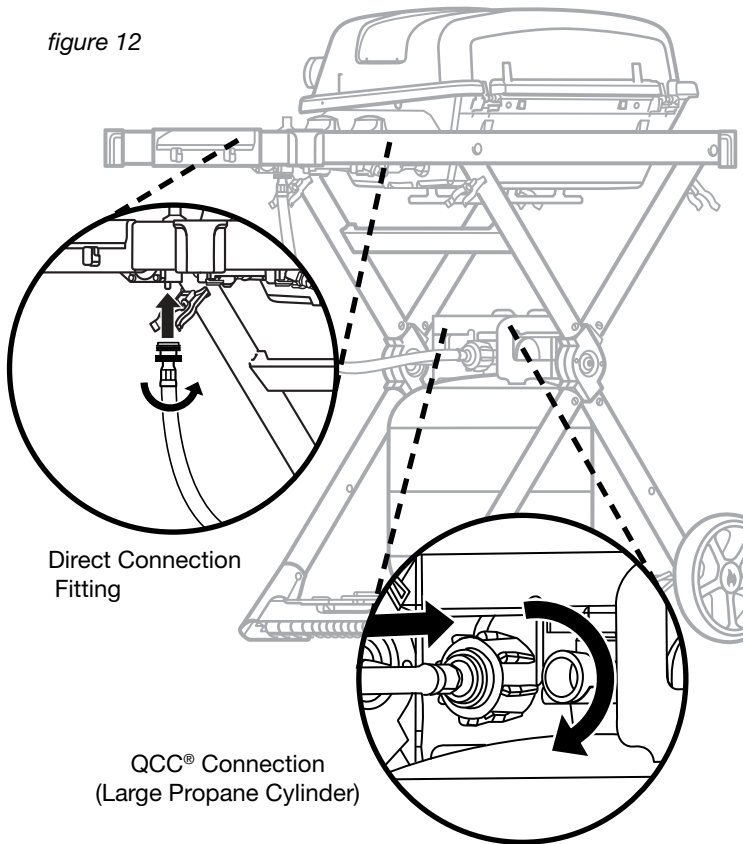


figure 11

1. The QCC® coupling contains a magnetic Flow Limiting Device which will limit the flow of gas should there be a leak between the regulator and the appliance valve. This device will activate if the cylinder valve is opened while the appliance valves are open. Be sure the appliance valves are off before the cylinder valve is opened to prevent accidental activation.
2. The QCC® coupling incorporates a heat sensitive hand wheel that will cause the back check module in the QCC® cylinder valve to close when exposed to temperatures between 240° and 300°F. Should this occur, do not attempt to reconnect the nut. Remove hose/ regulator assembly and replace with a new one.
3. The pressure regulator is set at 11 inches WC (water column) and is for use with propane only. The hose and hose couplings comply with CSA Standard CAN1-8.3. **No modifications or substitutions should be attempted.**
4. Protect the hose from dripping grease and do not allow the hose to touch any hot surface, including the base casting of the grill.
5. Inspect seal in the QCC® cylinder valve when replacing propane cylinder or once per year, whichever is more frequent. Replace seal if there is any indication of cracks, creases, or abrasion.
6. Inspect hose before each use of the grill. If the hose is cracked, cut, abraded or damaged in any way, the appliance must not be operated.
7. For repair or replacement of hose/regulator assembly, contact **Zippo Consumer Relations at 888-368-0826.**

figure 12



QCC®-1 CONNECTION (Large Propane Cylinder)

1. Be sure the cylinder valve and appliance valves are off.
2. Place full propane cylinder in the propane cylinder rack and secure properly per assembly instructions.
3. Align the small end of the hose with the direct connection fitting and turn clockwise until tight.
4. Center the nipple of the adapter hose in the cylinder valve and hold in place. Using the other hand, turn the hand wheel clockwise until there is a positive stop.
5. Do not use tools. Hand tighten only. When making the connection, hold the adapter hose in a straight line with the cylinder valve, and be sure to not cross thread the connection.
6. Leak test the connections. See "Leak Testing Section."
7. Refer to lighting instructions.
8. To avoid activating the Flow Limiting Device, when lighting, open the cylinder valve slowly with the appliance valves off. If the Flow Limiting Device is accidentally activated, turn off the appliance valves and cylinder valve and wait 10 seconds to allow the device to reset. Open the cylinder valve slowly, then open the appliance valve.

PROPANE CYLINDER

The Propane Cylinder is not included with the Zippo® All-Terrain Grill™. QCC® valve equipped cylinders are available from your Gas Grill Dealer or propane supplier. This valve is recognized by the external threads on the inlet port of the valve.

Any attempt to connect the supplied hose, by use of adapters or any other means, to any other type of valve could result in damage, fire or injury and may negate the important safety features designed into the QCC®-1 system.

SPECIFICATION:

1. Any propane cylinders used with this appliance must be constructed and marked in accordance with the *Specifications for LP Gas Cylinders* of the U.S. Department of Transportation (D.O.T.) or the *National Standard of Canada, CAN/CSA-B339, Cylinders, Spheres and Tubes for Transportation of Dangerous Goods; and Commission*, as applicable.
2. The propane cylinder used for this appliance must not have a capacity larger than 20 lb. (9 kg). Approximately 18" (46 cm) high, or 12" (31 cm) diameter.
3. Any propane cylinders used with this appliance should be inspected at every filling and re-qualified by a licensed service outlet at the expiry date (10 years), in accordance with the DOT (USA) and CTC (Canada) codes for LP Gas Cylinders.
4. Any propane cylinders used with this appliance must be provided with a shutoff valve terminating in a cylinder valve outlet No. 510, specified in the Standard for Compressed Gas Cylinder Valve Outlet and Inlet Connection (USA) ANSI/CSA-V-1-1977 (Canada) CSA B96. The cylinder supply system must be arranged for vapor withdrawal. The cylinder must include a collar to protect the cylinder valve. The cylinder must be installed as per assembly instructions. Never fill the cylinder beyond 80% full. A fire causing death or serious injury may occur. The cylinder valve must include a safety relief device having direct communication with the vapor space of the cylinder.

HANDLING:

1. Government regulations prohibit consumer shipping propane cylinders.
2. A filled propane cylinder is under very high pressure. Always handle carefully and transport in the upright position. Protect the valve from accidental damage.
3. Do not tip the propane cylinder while connecting it to the regulator. Fasten the cylinder securely during transport, use and storage.
4. If the cylinder is tipped after it is connected to the regulator, shut off the gas, disconnect the regulator and have it checked before using again.

STORAGE:

1. Store the propane cylinder outdoors in a well ventilated place.
2. Do not store the propane cylinder in direct sunlight, near a source of heat or combustion.
3. If you intend to store the grill indoors, disconnect and remove the propane cylinder first. Disconnected cylinders must have a dust cap installed. Large Propane Cylinders must not be stored in a building, garage or any other enclosed area.
4. Keep out of the reach of children.
5. When the propane cylinder is connected to the gas grill, the gas grill and propane cylinder must be stored outside in a well ventilated place.

OPERATION:

1. Never connect your gas grill to a propane cylinder without the regulator provided, and **NEVER TO AN UNREGULATED PROPANE SUPPLY**. The gas regulator supplied with the appliance must be used.
2. **Always** leak test the propane cylinder to regulator connection when connecting the propane cylinder to the appliance. See "Leak Testing Section".

- DO NOT** operate appliance if the smell of propane is present. Extinguish all flame and determine source of propane before proceeding. **DO NOT** ignite the appliance until the propane leak has been found and sealed and the area has been properly ventilated.
- Always** shut off propane cylinder valve when the appliance is not in use.

OPD EQUIPPED CYLINDER

IDENTIFICATION

To identify these cylinders, the new OPD knob has been standardized to the shape shown.

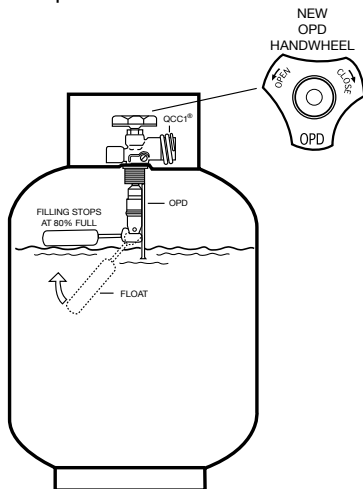


figure 13

OVERFILL PREVENTION DEVICE

The standard for outdoor gas appliances, ANSI Z21.58/ CAN/ CSA-1.6, requires that appliances are to be used with cylinders equipped with an Overfill Prevention Device (OPD).

LEAK TESTING

All factory-made connections have been thoroughly tested for gas leaks. However, shipping and handling may have loosened a gas fitting.

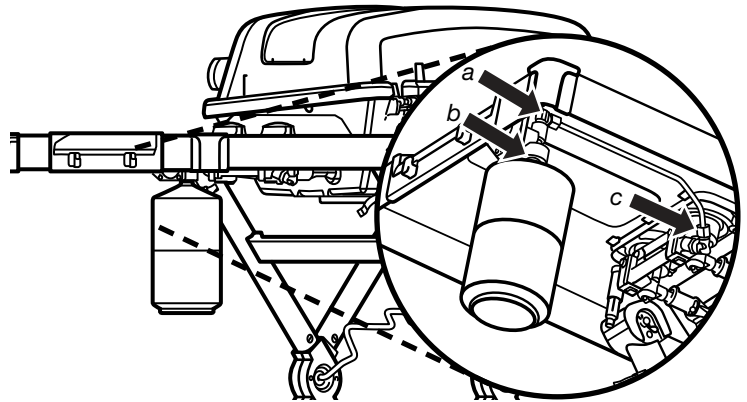
AS A SAFETY PRECAUTION:

- **TEST ALL FITTINGS FOR LEAKS BEFORE USING YOUR GAS GRILL.**
- **TEST THE CYLINDER VALVE FOR LEAKS EACH TIME THE CYLINDER IS FILLED.**
- **TEST FOR LEAKS EVERY TIME YOU CONNECT A GAS FITTING.**
- **DO NOT SMOKE!**
- **NEVER TEST FOR LEAKS WITH A LIGHTED MATCH OR OPEN FLAME.**
- **TEST FOR LEAKS OUTDOORS.**

TO TEST FOR LEAKS:

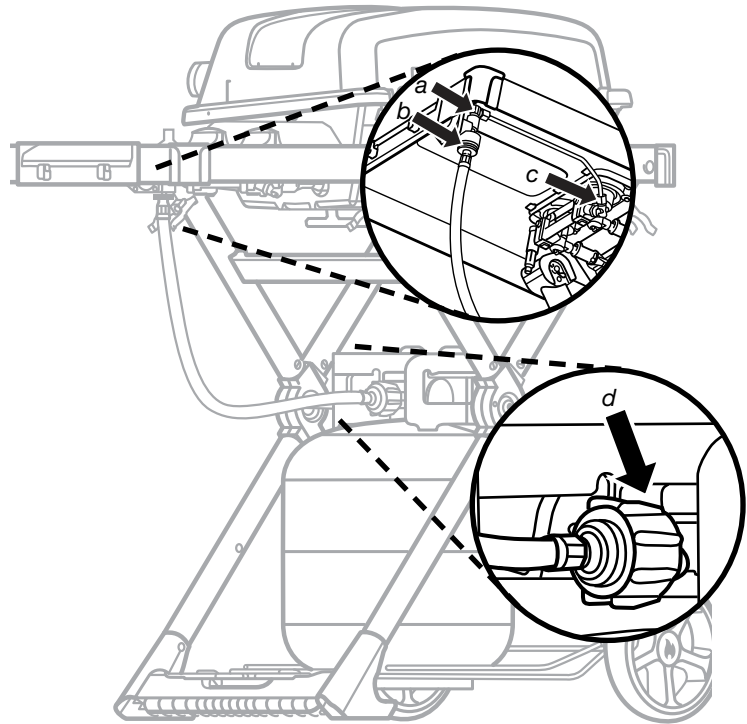
1. Extinguish any open flame or cigarettes in the area.
2. Be sure that cylinder valve and appliance valves are off.
3. Connect propane cylinder. See "Installation Section".
4. Prepare a soap solution of one part water, one part liquid detergent.
5. With a full gas cylinder, open cylinder slowly.
6. Brush the soap solution on each connection.
 - a. Regulator connection
 - b. Regulator to propane cylinder/ adapter hose connection
 - c. Valve connection
 - d. Adapter hose to large propane cylinder connection
7. A leak is identified by a flow of bubbles from the area of the leak.

8. If a leak is detected, close the gas cylinder "shut-off" valve, tighten the connection and retest (Step 5).
9. If the leak persists, **contact Zippo Consumer Relations at 888-368-0826 for assistance.** Do not attempt to operate appliance if a leak is present.



Direct Connection (Small Propane Cylinder)

figure 14



QCC® Connection (Large Propane Cylinder)

figure 15

BURNER-VENTURI TUBE ⑭

- **KEEP BURNER-VENTURI TUBE CLEAN.**
- **Blockages caused by spiders, insects, and nests can cause a flashback fire.**

Although the grill might still light, the backed up gas might also light resulting in a fire around the burner-venturi tube at the control panel.

- * **If a flashback fire occurs, turn off gas at the source immediately.**

Inspect and clean the burner-venturi tube if any of the following symptoms occur:

1. You smell gas.
2. Your grill does not reach temperature.
3. Your grill heats unevenly.
4. The burner-venturi makes popping noises.

INSPECTING & CLEANING

BURNER-VENTURI TUBE ⑭

1. Turn off gas at the source, i.e. the propane cylinder.
2. When grill is cool, remove Cooking Grate ⑧ and Flavor Infusion Panel ⑨.
3. Remove each burner-venturi screw ⑳.

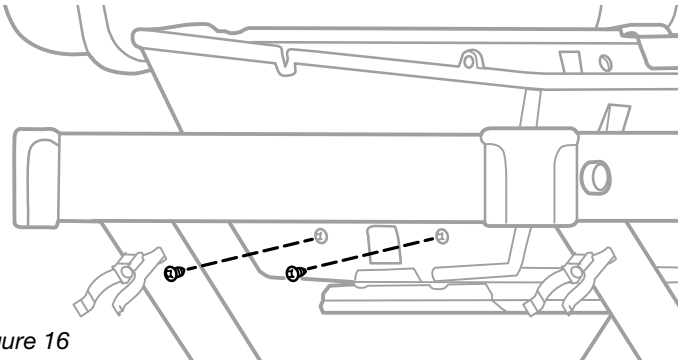


figure 16

4. Remove the flame collector box-upper ⑮.

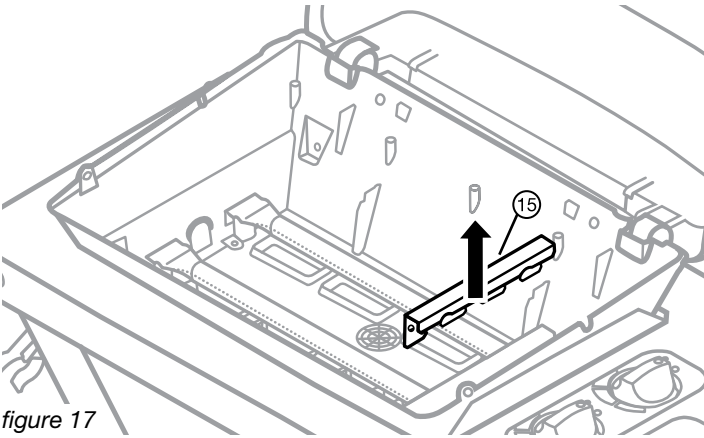


figure 17

5. Lift the burner-venturi tubes from the grill housing.

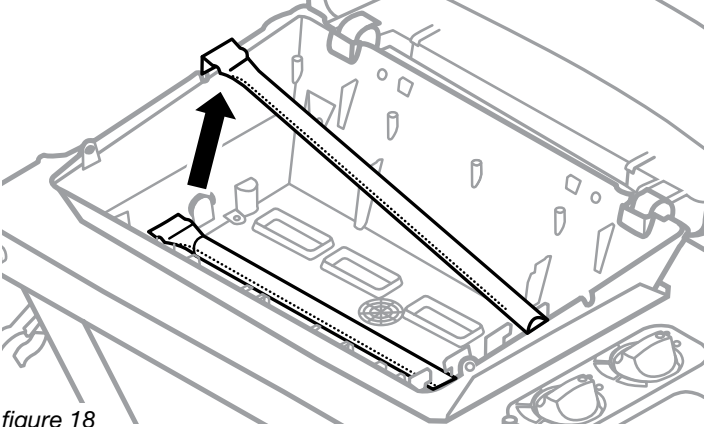


figure 18

6. Clean the burner-venturi tubes with a pipe cleaner or burner-venturi cleaning tool.



figure 19

7. Lower the burner-venturi into position in the grill housing, making sure that the burner-venturi tube is correctly aligned and fitted on the orifice.

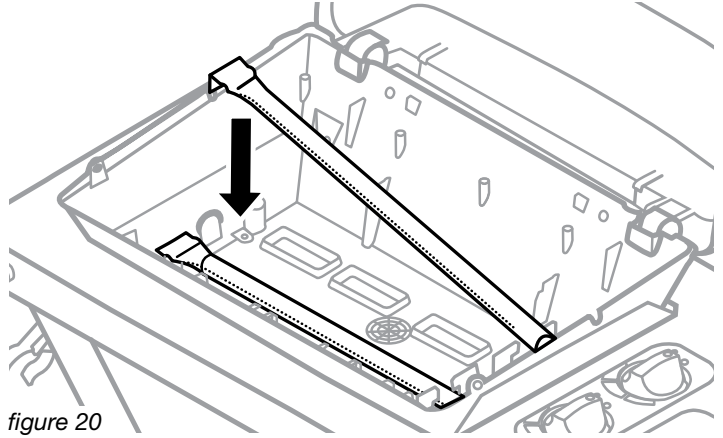


figure 20

Proper Burner-Venturi Alignment with Valve Orifice

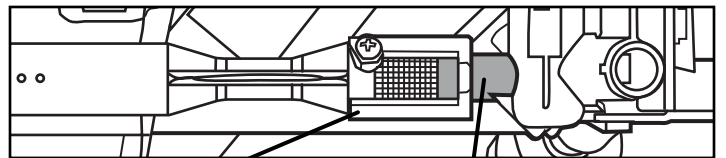


figure 21

Burner Venturi Tube Valve Orifice

8. Assemble burner-venturi screws, flame collector box-upper, Flavor Infusion Panel, and cooking grate.

IGNITION

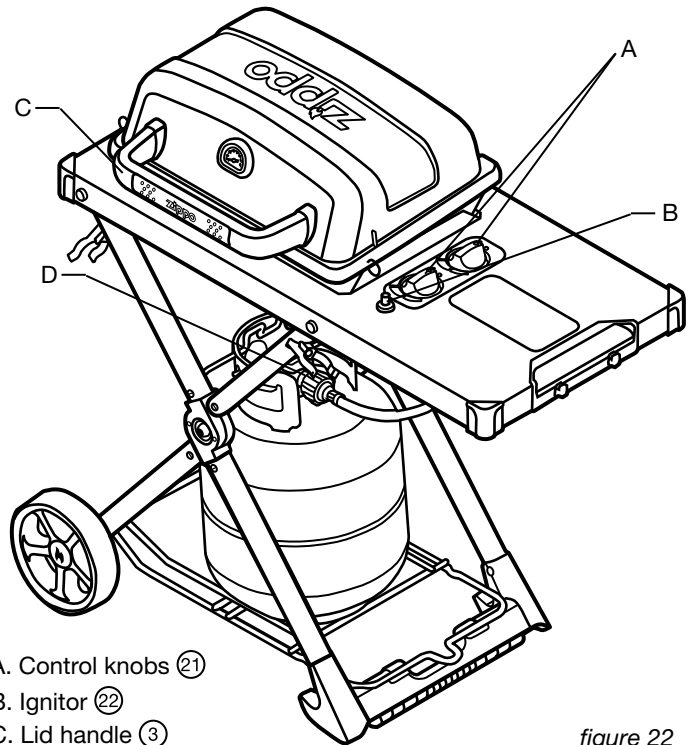
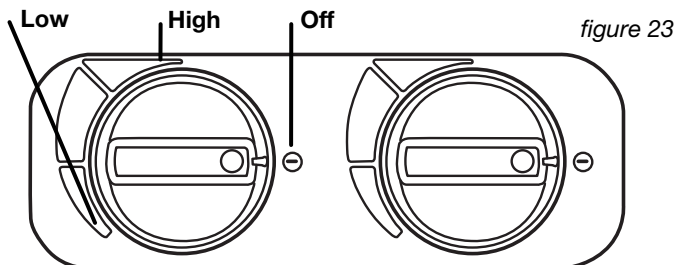


figure 22

- A. Control knobs ⑳
- B. Ignitor ㉑
- C. Lid handle ③
- D. Cylinder valve

1. The appliance must be assembled as per the assembly instructions.
2. Check that there is fuel in the propane cylinder and that it is properly connected to the regulator.
3. Check that there are no leaks in the propane supply system. See "Leak Testing Section".

4. Check that the burner-venturi tube is properly located over the gas valve orifice, shown in *figure 21*.
5. Check that burner-venturi ignition wire is connected.
6. Read carefully all instructions contained on the information plate attached to the grill.
7. **WARNING: Open lid before lighting.**
8. Set control knobs to off and slowly turn on the gas supply.
9. Push and turn control knob to high. Push the igniter button several times to light. To use a match or long nozzle utility lighter see *figure 24*. Burner should ignite within 5 seconds.



Note: To light burner-venturi with a match follow steps 1 thru 8 in "Ignition Section". Insert lighted long match or long nozzle utility lighter through the cooking grate and flavor infusion panel. Push and turn control knob to high. Burner-venturi should ignite within 5 seconds.

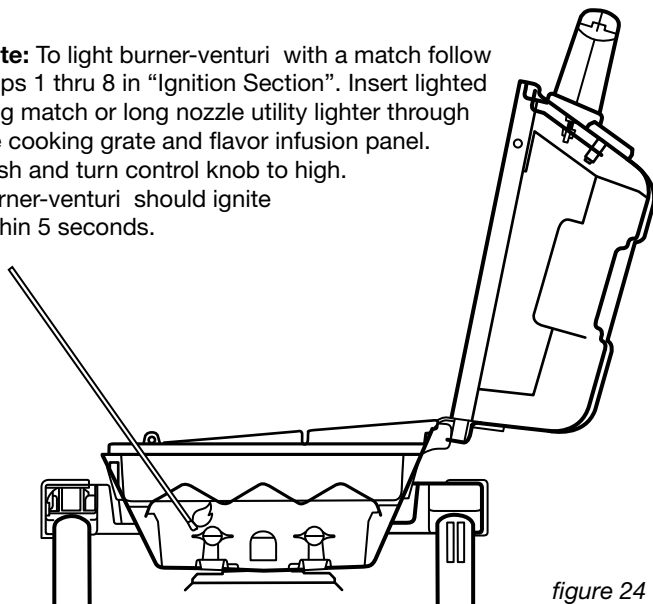


figure 24

CAUTION



figure 25

10. Check your grill after lighting. Assure all the ports on the burner-venturi are lit, and show approximately 1 inch (2.5 cm) flames on high setting.

If any of the following symptoms occur there is probably a blockage in the burner-venturi tube. Shut off gas at once and clean the burner-venturi tube. See "Burner-Venturi Tube Section".

1. You smell gas.
2. If a flashback fire occurs.
3. Your barbecue heats unevenly.
4. The burner-venturi tubes make popping noises.

IF BURNER-VENTURI DOES NOT IGNITE:

1. Turn control knob to off. Wait 5 minutes, then try again.
2. If the burner-venturi will not light, consult "Trouble Shooting Guide". If problem cannot be resolved, do not attempt to operate the appliance; **contact Zippo Consumer Relations at 888-368-0826**.

SHUT DOWN

Direct Connection (Small Propane Cylinder)

1. Turn control knobs to off.
2. Remove propane cylinder and place protective cap back on cylinder.

QCC®-1 Connection (Large Propane Cylinder)

1. Turn cylinder valve off.
2. Turn control knobs to off.
3. Disconnect the adapter hose from the grill and large propane cylinder.

INITIAL USE

Burn-off. Before cooking on your gas grill for the first time, burn off the grill to rid it of any odors or foreign matter as follows:

Remove cooking grate and wash in mild soap and water. Ignite the burner-venturi. Close the lid and operate the grill for 20 minutes with the control knobs set at high. Refer to "Shut Down Section" procedures above. Turn the control knobs to off. Let the appliance cool down, replace the cooking grate. You are now ready to use the appliance.

COOKING

Preheating. Scrub cooking grate with a brass wire grill brush and brush or spray the cooking grate with vegetable or olive oil to prevent food from sticking. Replace grate. Preheat the grill on high until desired temperature is reached with the lid closed. Reduce heat as appropriate for what you are grilling.

Lid Position. The position of the lid during cooking is a matter of personal preference, but the grill cooks faster, uses less gas, and controls the temperature best with the lid closed. A closed lid also imparts a smokier flavor to meat cooked directly on the cooking grate, and is essential for smoke and convection cooking.

Vaporization Systems. Your gas grill is designed for use with a vaporization system, called a Flavor Infusion Panel (included). Do not use lava rock, ceramic briquettes or any other vaporization system other than the one that came with the grill.

PERIODIC MAINTENANCE

After you have finished cooking, prepare for the next cookout by burning off any residue of food from the cooking grate (8) and flavor infusion panel (9) in the following manner:

Cooking Grate

Remove all food from the cooking grate, turn the control knob (2) to high, and operate the grill with the lid (1) closed for 5 to 10 minutes or until smoking stops. Turn the gas cylinder valve to off, then the control knobs to off.

Use a long-handled brass wire brush to clean the cooking grate. Remember that the grill is hot, so wear kitchen mitts or use a

pot-holder to handle the brush.

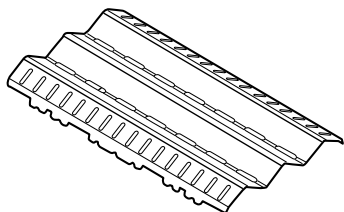
You do not have to wash the cooking grate after each cookout, but if you wish to do so after cooking grate is cool, use a mild soap and water solution, then rinse them thoroughly. Never use a commercial oven cleaner.

Porcelain Coating

Zippo® All-Terrain Grill™ cooking grate is coated with a durable porcelain enamel to assist in cleaning and reduce the tendency of food from sticking to the cooking grate. This is essentially a glass coating. Some chipping may occur if mishandled. This will not affect the use or performance of the cooking grate. If some rust appears, remove the rust with a scrub pad and coat the cooking grate with vegetable or olive oil. Use only brass wire grill brush. Other material may damage porcelain.

Flavor Infusion Panel

If any residue begins to accumulate on the Flavor Infusion Panel, remove cooking grate and scrape off excess residue.



ANNUAL MAINTENANCE

To ensure safe and efficient performance, the following components should be inspected and cleaned at least once per year or after any period of storage exceeding one month. For a thorough cleaning of your grill, clean cooking grate and Flavor Infusion Panel as indicated under “Periodic Maintenance.” When grill is cool, remove cooking grate and Flavor Infusion Panel, and proceed as follows.

Burner-Venturi Tube ⑭

Remove burner-venturi and inspect for cracks and deterioration. Clean burner-venturi tube using a pipe cleaner or burner-venturi brush to eliminate any blockages caused by spiders or insects. See “Burner-Venturi Tube”. While burner-venturi is removed, clean the interior of bottom by scraping the sides and vacuuming.

figure 26

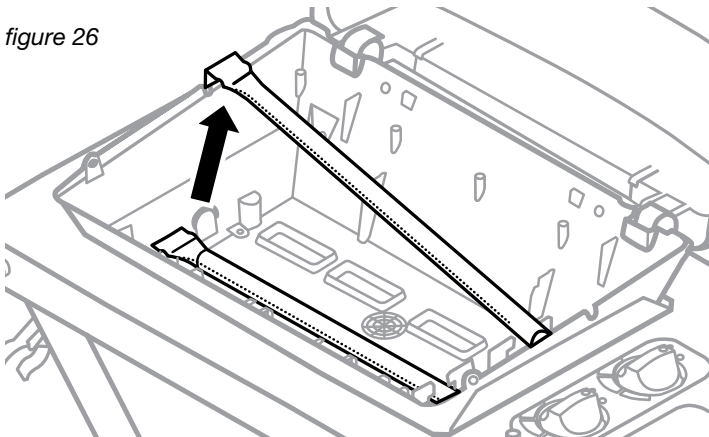


figure 27



QCC®-1 Adapter Hose ④9

Inspect and replace if necessary.

Stainless Steel Shelf ①1

Wash with mild soap and water.

Exterior Finish

Rusting is a natural oxidation process and may appear on cast-iron and steel parts. Rust will not affect short term performance of your grill. Weathering and extreme heat can cause stainless steel to turn a tan color. This discoloration is not considered a manufacturing defect.

Replacement Parts

If a problem is found with the regulator, hose, burner-venturi tubes, or control valves, do not attempt repair. Contact **Zippo Consumer Relations at 888-368-0826 or visit zippo.com** for repairs and replacement parts. To ensure optimum performance, use only genuine Zippo® All-Terrain Grill™ replacement parts.

Leak Test

After reconnecting gas cylinder, be sure to check for leaks. See “Leak Testing Section.”

TRANSPORT AND STORAGE

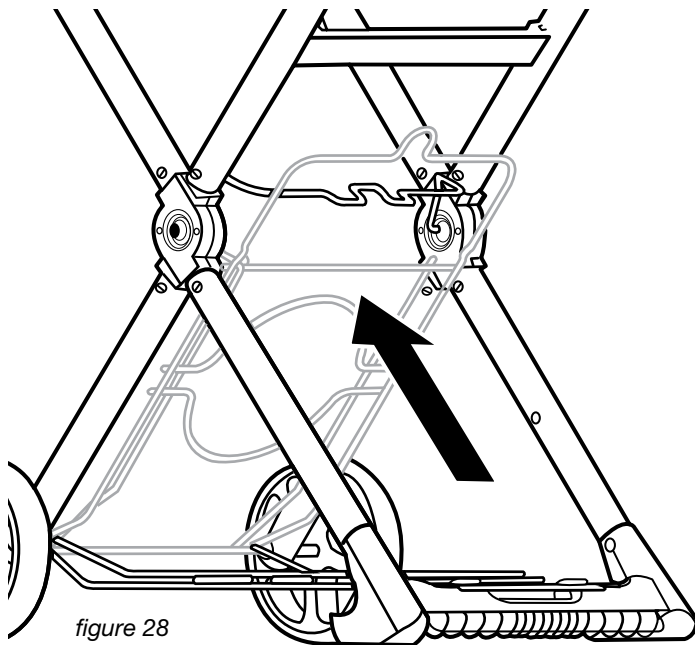
⚠ DANGER

Do not put grill in travel or storage mode immediately after use. Allow grill to cool to touch before moving or storing. Failure to do so could cause a fire resulting in property damage, personal injury, or death.

⚠ CAUTION

Disconnect small propane cylinder (figure 10) or adapter hose and large propane cylinder (figure 12) before collapsing grill. Keep fingers clear of moving parts while collapsing grill.

Lower/Travel Mode



Raise ③2 Tank Support Bracket as shown in figure 28.

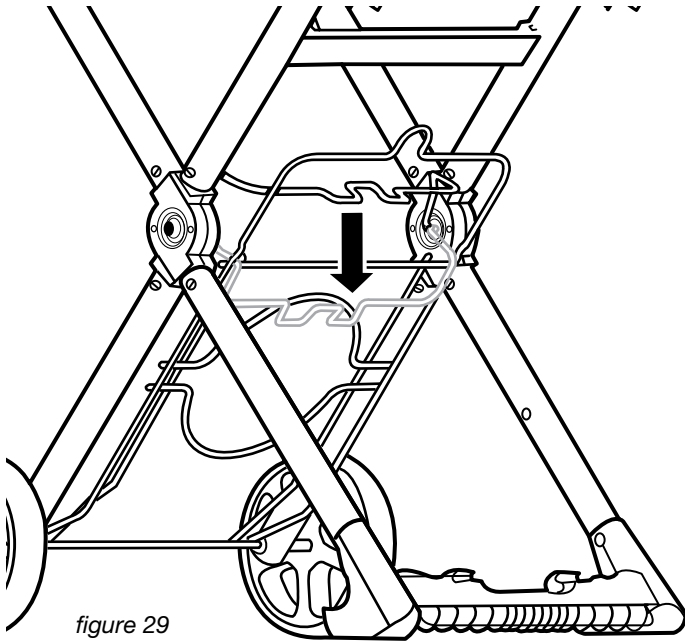


figure 29

Lower (33) Tank Retainer as shown in figure 29. Make sure Tank Retainer “snaps” closed to secure (32) Tank Support Bracket.

NOTE: Make sure adapter hose is removed from grill before collapsing.

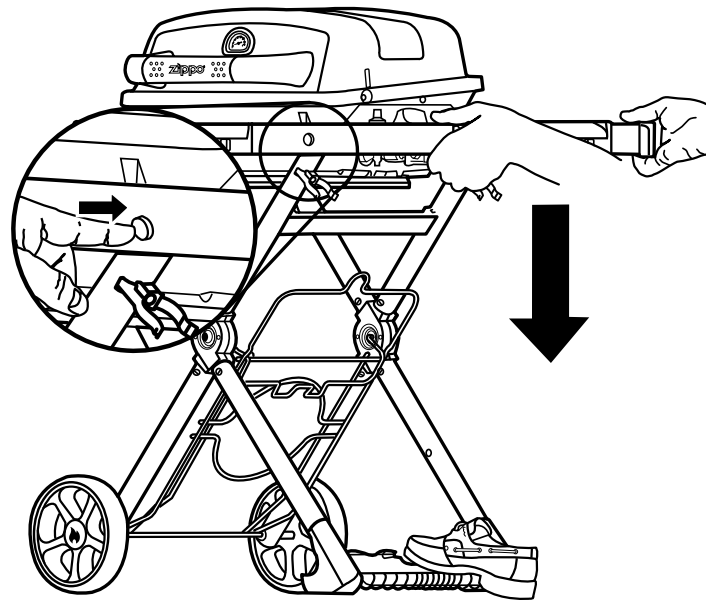


figure 30

1. Press buttons on either side of work surface as shown in figure 30.
2. Place foot on tow handle as shown in figure 30.
3. Carefully lower the work surface while keeping your foot firmly on the Leg Handle (35).

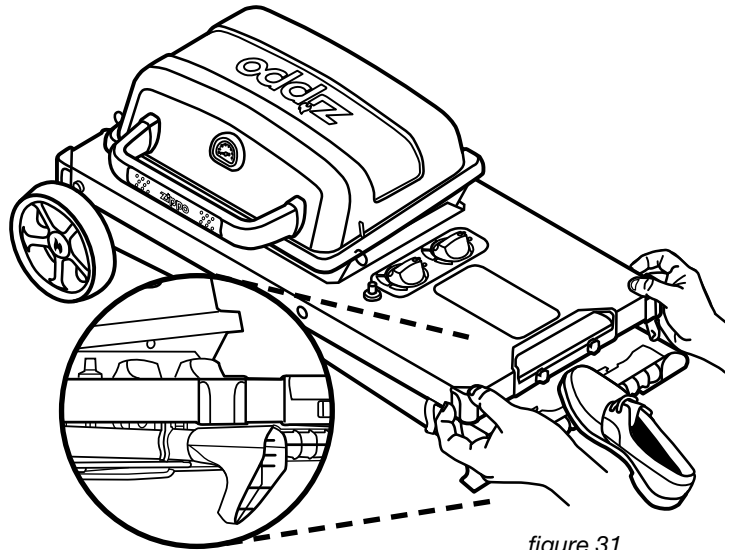


figure 31

NOTE: Make sure leg clips are fully engaged before transportation, as shown in figure 31.

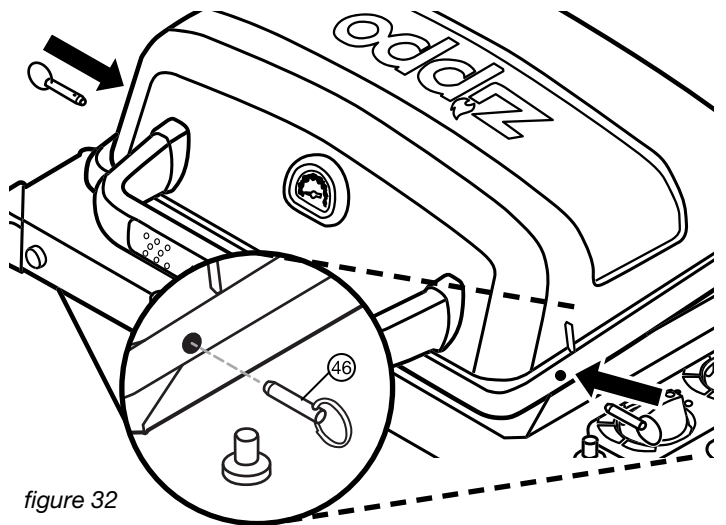


figure 32

Install (46) Lid Pins through holes as shown in figure 32.

WARRANTY

LIMITED WARRANTY

5 years against defects on materials and workmanship of the lid, cook box, legs, valves, burner-venturi tubes, and cooking grate. Normal wear and tear, misuse, or abuse, use contrary to instructions, paint or plastic fading are excluded.

Any failure due to accident, abuse, misuse, alteration, misapplication, vandalism, improper installation or improper maintenance or service, or failure to perform normal and routine maintenance, including damage caused by insects in burner-venturi tubes, are excluded.

REPLACEMENT PARTS

“Genuine Zippo® All-Terrain Grill™ Parts” must always be used for replacement. Use of any other parts will automatically nullify the above warranty. Contact **Zippo Consumer Relations at 888-368-0826** for repairs or replacement parts. To ensure optimum performance, use only genuine Zippo® All-Terrain Grill™ replacement parts.

BURNER-VENTURI TUBES

The life of the Zippo® All-Terrain Grill™ burner-venturi tubes (made of stainless steel) depends almost entirely on proper use, cleaning and maintenance. This warranty does not cover failure due to improper use and maintenance.

PORCELAIN COOKING GRATE

The Zippo® All-Terrain Grill™ cooking grate is coated with a durable porcelain enamel. Porcelain is essentially a glass coating. Some chipping may occur if mishandled. This will not affect the use or performance of the part. These parts are not warranted against chipping or rusting. If some rust appears, remove the rust with a scrub pad and coat with vegetable or olive oil. Use only a brass wire grill brush for cleaning. Stainless steel brushes may damage the porcelain coating.

FLAVOR INFUSION PANEL

The Flavor Infusion Panel is warranted against defects in materials for a period of 2 years from date of purchase. Surface rust will not affect the performance of the Flavor Infusion Panel and is not covered by the warranty. If rust appears, remove the rust with a scrub pad and coat with cooking oil.

PROPANE CYLINDER

Zippo Manufacturing Company does not manufacture Propane Cylinders. The Propane Cylinder manufacturer is responsible for the materials, workmanship and performance of the cylinder. If the cylinder has a defect, malfunctions, or you have a question regarding the cylinder, contact your dealer or the propane cylinder manufacturer.

TROUBLE SHOOTING

PROBLEM	POSSIBLE CAUSE	CORRECTIVE ACTION
SMELL OF GAS	SHUT OFF GAS CYLINDER VALVE AT ONCE. DO NOT USE THE APPLIANCE UNTIL LEAK IS REPAIRED.	
Leak detected at cylinder, regulator or other connection.	<ol style="list-style-type: none"> 1. Small Propane Cylinder or Adapter Hose fitting loose. 2. Gas leak in hose/regulator or control valves. 	<ol style="list-style-type: none"> 1. Tighten cylinder or fitting and see "Leak Test Section". 2. Contact Zippo Consumer Relations at 888-368-0826.
Flame flashback beneath control panel.	<ol style="list-style-type: none"> 1. Burner-Venturi blocked. 	<ol style="list-style-type: none"> 1. Remove burner-venturi, clean burner-venturi. See "Burner-Venturi Tubes Section".
Burner will not light.	<ol style="list-style-type: none"> 1. Out of propane. 2. Igniter wire not connected. 3. Igniter electrode misaligned on burner-venturi . 4. Igniter malfunction. 5. Adapter Hose is not fully connected to the cylinder valve. 6. Burner valve left open while cylinder valve was opened causing excess flow device to activate. 7. A leak in the system causing the excess flow device to activate. 8. Burner-Venturi blocked. 9. Burner-Venturi not aligned with valve orifice. 10. Orifice is blocked 11. Hose is twisted. 	<ol style="list-style-type: none"> 1. Refill Propane Cylinder. 2. Connect burner-venturi igniter wire. 3. Realign electrode. 4. Use "Manual Lighting" Procedure or replace. 5. Tighten the Adapter Hose hand wheel. 6. Close burner and cylinder valves. Open cylinder valve slowly, then open burner valve to light. 7. Leak test connections to determine loose fitting. Tighten fitting. Leak test system. 8. Remove burner, clean burner-venturi. See "Burner-Venturi Tube Section". 9. Realign burner-venturi to orifice. See "Burner-Venturi Tube Section". 10. Remove burner, clean orifice with a pin or fine wire. Do not attempt to drill orifice. 11. Straighten hose. Check for damage, replace if necessary. Keep away from bottom casting.
Decreasing heat, "popping sound".	<ol style="list-style-type: none"> 1. Out of propane. 2. Burner-Venturi blocked. 	<ol style="list-style-type: none"> 1. Refill Propane Cylinder. 2. Remove burner, clean burner-venturi. See "Burner-Venturi Tube Section".
Hot spots on cooking surface.	<ol style="list-style-type: none"> 1. Burner-Venturi blocked. 	<ol style="list-style-type: none"> 1. Remove burner, clean burner-venturi. See "Burner-Venturi Tube Section".
"Flare-ups" or grease fires.	<ol style="list-style-type: none"> 1. Excessive grease buildup. 2. Excessive heat. 	<ol style="list-style-type: none"> 1. See "Maintenance". 2. Turn burner controls to a lower setting.
Humming noise from regulator.	<ol style="list-style-type: none"> 1. Cylinder valve turned on too quickly. 	<ol style="list-style-type: none"> 1. Close control nobs. Reopen cylinder valve slowly.
Yellow Flame.	<ol style="list-style-type: none"> 1. Some yellow flame is normal. If it becomes excessive the burner-venturi may be blocked. 2. Burner ports blocked. 	<ol style="list-style-type: none"> 1. Remove burner, clean burner-venturi. See "Burner-Venturi Tube Section". 2. Remove burner & clean with soft bristle brush.
Inside of lid appears to be peeling.	<ol style="list-style-type: none"> 1. This is a build-up of grease. The inside of the lid is not painted. 	<ol style="list-style-type: none"> 1. Clean with stiff bristle brush or scraper.

PARTS LISTING

ITEM	PART #	DESCRIPTION	QTY.
①	34011-501.....	LID.....	1
②	36013-144.....	LID - STRAP.....	1
③	34400-138A.....	LID - HANDLE.....	1
④	34401-148.....	HANDLE - STANDOFF.....	2
⑤	34242-304.....	HANDLE - SHIELD.....	1
⑥	10081-E26.....	BEZEL.....	1
⑦	10571-5.....	HEAT INDICATOR.....	1
⑧	10225-T206.....	COOKING GRATE.....	1
⑨	32001-904.....	FLAVOR INFUSION PANEL.....	1
⑩	10909-E221R.....	COOKBOX.....	1
⑪	35651-E26A.....	SHELF.....	1
⑫	33411-348.....	CORNER.....	4
⑬	33410-348.....	TOOL HOOK HANDLE.....	1
⑭	32900-144.....	BURNER - VENTURI TUBE.....	2
⑮	10310-264.....	COLLECTOR BOX - UPPER.....	1
⑯	10320-264.....	COLLECTOR BOX - LOWER.....	1
⑰	39001-103.....	VALVE ASSEMBLY.....	1
⑰a	10110-89.....	GAS TRAIN.....	1
⑰b	30114-600A.....	REGULATOR WITH BRACKET.....	1
⑱	33412-348.....	VALVE TRAY.....	1
⑲	39830-304.....	VALVE BRACKET.....	1
⑳	Y-29308.....	VALVE NUT.....	2
㉑	10472-K432.....	CONTROL KNOB.....	2
㉒	10342-21.....	IGNITOR.....	1
㉓	10342-E12.....	ELECTRODE WITH WIRE.....	1
㉔	31001-011A.....	LEG ASSEMBLY - REAR.....	1
㉕	31001-013A.....	LEG ASSEMBLY - FRONT.....	1
㉖	31403-E261R.....	LEG.....	2
㉗	31403-E261.....	LEG.....	2
㉗a	31403-E271R.....	LEG.....	1
㉗b	31403-E271L.....	LEG.....	1
㉘	31021-508.....	LEG SLIDE.....	2
㉙	31430-978A.....	PIVOT ASSEMBLY.....	2
㉚	35031-301.....	LEG - BRACE.....	1
㉛	32041-302.....	HEAT SHIELD.....	1
㉜	35002-301.....	TANK SUPPORT.....	1
㉝	35001-301.....	TANK RETAINER.....	1
㉞	10892-751.....	WHEEL.....	2
㉟	31422-348.....	LEG HANDLE.....	1
㊱	32002-249.....	WHEEL CAP.....	2
㊲	S21125.....	SCREW #8.....	13
㊳	Y-12865.....	SCREW 1/4-20.....	2
㊴	SP15-21.....	SCREW #8-32.....	2
㊵	S21124.....	SCREW #8.....	4
㊶	Y-12855.....	SCREW 1/4-20.....	2
㊷	S21421.....	PUSH NUT.....	2
㊸	S21422.....	PUSH NUT.....	2
㊹	S21061.....	WING NUT.....	2
㊺	S21233.....	CLIP.....	2
㊻	34100-904.....	LID PIN.....	2
㊼	Y-12227.....	BUSHING.....	2
㊽	Y-12228.....	BUSHING.....	2
㊾	30114-34.....	QCC-1 ADAPTOR HOSE.....	1
㊿	Y-11980.....	PIN.....	2
①	Y-12310.....	SCREW 1/4-20.....	4
②	37500-378A.....	LEG CLIP.....	4
③	Y-29306.....	SCREW #10-24.....	4

